

SECTION **BT**

GI
MA
EM
LC
EC
FE
CL
MT
AT
FA
RA
BR
ST
RS
BT
HA
EL
IDX

CONTENTS

GENERAL SERVICING	2	Roof Trim.....	18
Precautions.....	2	Trunk Room Trim.....	19
Supplemental Restraint System (SRS) "AIR BAG".....	2	EXTERIOR	20
Clip and Fastener.....	3	SEAT	26
BODY END	5	Front Seat.....	26
Body Front End.....	5	Heated Seat.....	27
Body Rear End and Opener.....	8	Rear Seat.....	28
DOOR	10	SUN ROOF	29
Front Door.....	10	WINDSHIELD AND WINDOWS	33
Rear Door.....	11	Windshield and Rear Window.....	33
INSTRUMENT PANEL	12	MIRROR	34
INTERIOR TRIM	15	Door Mirror.....	34
Side and Floor Trim.....	15	BODY ALIGNMENT	35
Door Trim.....	17	Engine Compartment.....	35
		Underbody.....	37

- ★ For seat belt, refer to MA and RS section.
- ★ For wiring diagrams of body electrical systems, refer to EL section.

Precautions

- When removing or installing various parts, place a cloth or padding onto the vehicle body to prevent scratches.
- Handle trim, molding, instruments, grille, etc. carefully during removing or installing. Be careful not to soil or damage them.
- Apply sealing compound where necessary when installing parts.
- When applying sealing compound, be careful that the sealing compound does not protrude from parts.
- When replacing any metal parts (for example body outer panel, members, etc.), be sure to take rust prevention measures.

Supplemental Restraint System (SRS) “AIR BAG”

The Supplemental Restraint System “Air Bag”, used along with a seat belt, helps to reduce the risk or severity of injury to the driver and front passenger in a frontal collision. The Supplemental Restraint System consists of air bag modules (located in the center of the steering wheel and on the instrument panel on the passenger side), a diagnosis sensor unit, warning lamp, wiring harness and spiral cable. Information necessary to service the system safely is included in the **RS section** of this Service Manual.


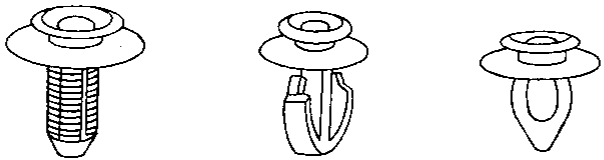


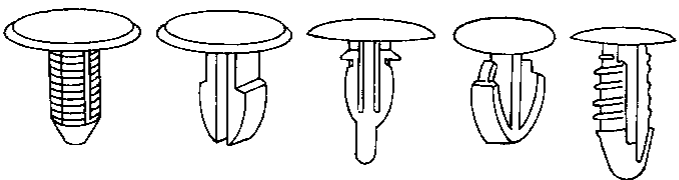
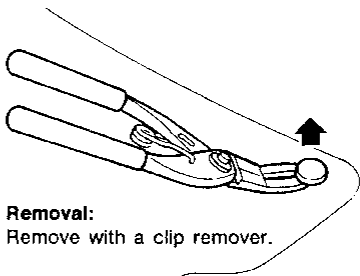

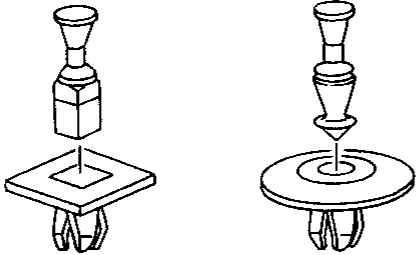
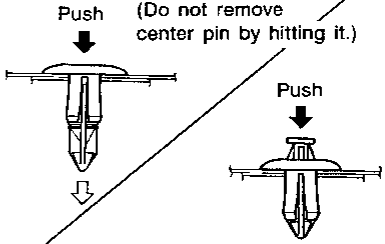
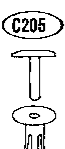
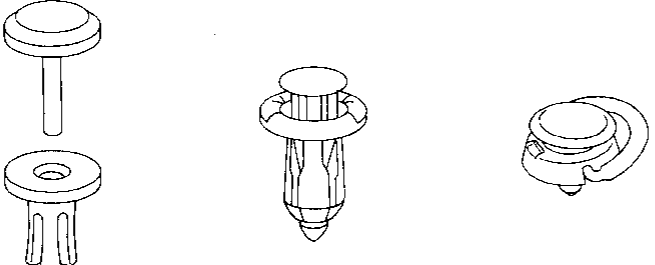
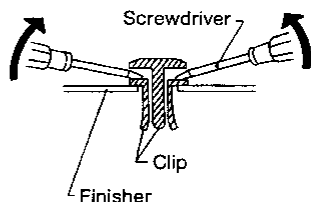

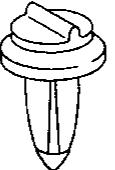
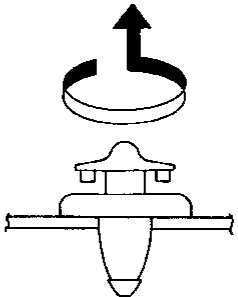
WARNING:

- **To avoid rendering the SRS inoperative, which could increase the risk of personal injury or death in the event of a collision which would result in air bag inflation, all maintenance must be performed by an authorized INFINITI dealer.**
- **Improper maintenance, including incorrect removal and installation of the SRS, can lead to personal injury caused by unintentional activation of the system.**
- **All SRS electrical connectors are covered with yellow outer insulation. Do not use electrical test equipment on any circuit related to the SRS.**

GENERAL SERVICING

Clip and Fastener


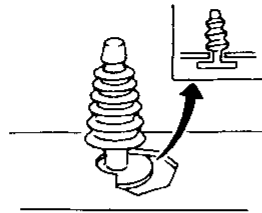
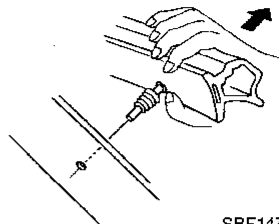

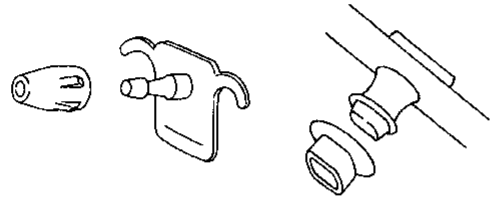
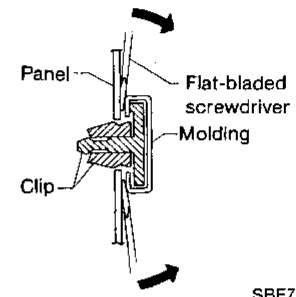

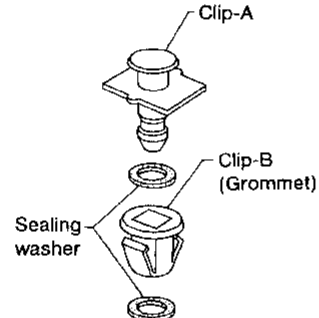
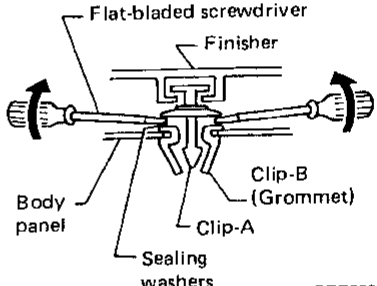

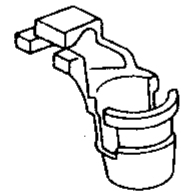
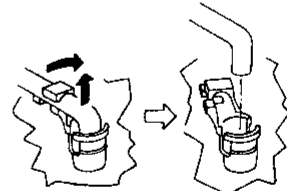
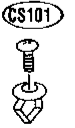
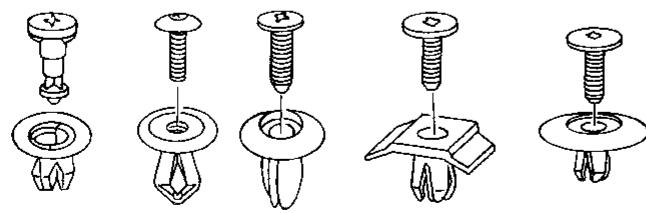
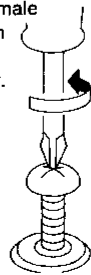
- Clips and fasteners in BT section correspond to the following numbers and symbols.
- Replace any clips and/or fasteners which are damaged during removal or installation.

Symbol No.	Shapes	Removal & Installation
	 <p style="text-align: right;">SBF302H</p>	<p>Removal: Remove by bending up with flat-bladed screwdrivers or clip remover.</p>  <p style="text-align: right;">SBF367BA</p>
	 <p style="text-align: right;">SBF303H</p>	<p>Removal: Remove with a clip remover.</p>  <p style="text-align: right;">SBF423H</p>
	 <p style="text-align: right;">SBF258G</p>	<p>Push center pin to catching position. (Do not remove center pin by hitting it.)</p>  <p>Installation:</p> <p style="text-align: right;">SBF708E</p>
	 <p style="text-align: right;">MBT080A</p>	<p>Removal:</p>  <p style="text-align: right;">SBF638C</p>
	 <p style="text-align: right;">MBF519B</p>	 <p style="text-align: right;">MBF520B</p>

CI
MA
EM
LC
EC
FE
CL
WT
AT
FA
RA
BR
ST
RS
BT
HA
EL
IX

GENERAL SERVICING

Clip and Fastener (Cont'd)

Symbol No.	Shapes	Removal & Installation
		<p>Removal:</p> 
		
		<p>Removal:</p> 
		<p>Removal: Holder portion of clip must be spread out to remove rod.</p> 
		<p>Removal:</p> <ol style="list-style-type: none"> 1. Screw out with a Phillips screwdriver. 2. Remove female portion with flat-bladed screwdriver. 

Body Front End

- When removing or installing hood, place a cloth or other padding on hood. This prevents vehicle body from being scratched.
- Bumper fascia is made of plastic. Do not use excessive force and be sure to keep oil away from it.
- Hood adjustment: Adjust at hinge portion.
- Hood lock adjustment: After adjusting, check hood lock control operation. Apply a coat of grease to hood locks engaging mechanism.
- Hood opener: Do not attempt to bend cable forcibly. Doing so increases effort required to unlock hood.

GI

MA

EM

LC

WARNING:

- Be careful not to scratch hood stay when installing hood. A scratched stay may cause gas leakage.
- The contents of the hood stay are under pressure. Do not take apart, puncture, apply heat or allow fire near it.

LC

REMOVAL — Front bumper assembly

- ① Remove bolts, screws and clips **C203** securing left and right sides of front fender protector. **B**
- ② Remove bolts securing bumper fascia to engine undercover. **C**
- ③ Remove screws securing left and right turn signal lamps and remove the lamps. **D**
- ④ Remove bolts and nuts securing left and right headlamps and remove the lamps. **E**
- ⑤ Remove bolts securing left and right cornering lamps and remove the lamps. **F**
- ⑥ Remove bolts securing bumper retainer to bumper fascia. **C**
- ⑦ Remove bolts and nuts securing front fender to bumper fascia. **G**
- ⑧ Remove bolts securing fog lamp bracket to bumper fascia. **H**
- ⑨ Extract bumper fascia assembly.
- ⑩ Remove bolts and nuts securing retainer and remove the retainer. **J**
- ⑪ Remove nuts securing bumper reinforcement to bumper stay. **K**
- ⑫ Extract bumper reinforcement.
- ⑬ Remove bolts and nuts securing bumper stay and remove the bumper stay. **L**

EC

FE

CL

MT

AT

FA

RA

BR

ST

RS

BT

HA

EL

DX

BODY END

Body Front End (Cont'd)

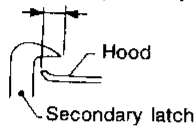
SEC. 260-261-262-620-630-650

Hood lock adjustment

- Adjust hood so that hood primary lock meshes at a position 1 to 1.5 mm (0.039 to 0.059 in) lower than fender.
- After hood lock adjustment, adjust bumper rubber.
- When securing hood lock, ensure it does not tilt. Striker must be positioned at the center of hood primary lock.
- After adjustment, ensure that hood primary and secondary lock operate properly.

Hood lock secondary latch hooking length

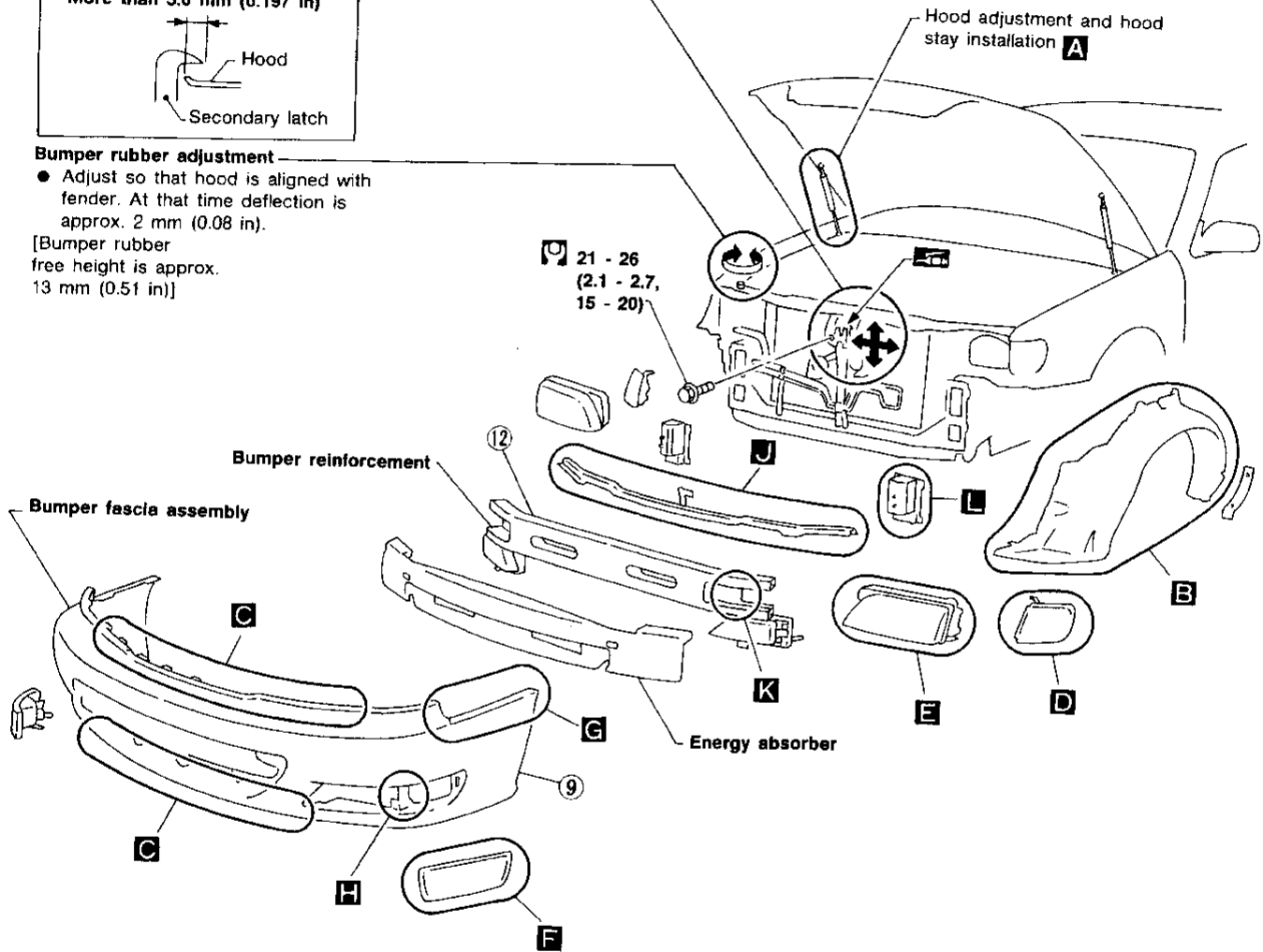
More than 5.0 mm (0.197 in)




Bumper rubber adjustment

- Adjust so that hood is aligned with fender. At that time deflection is approx. 2 mm (0.08 in).

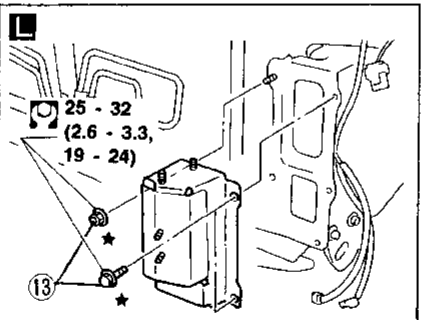
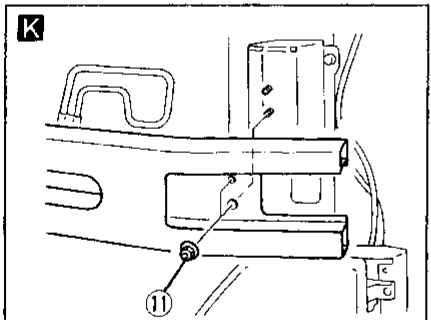
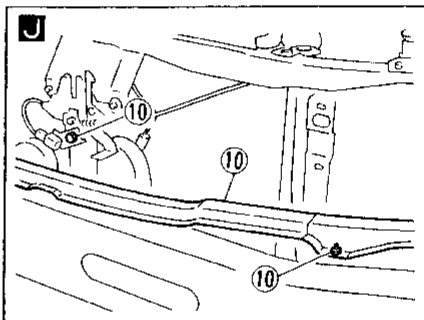
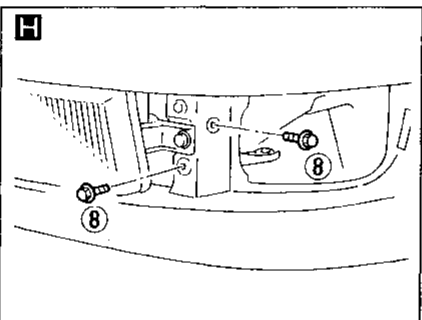
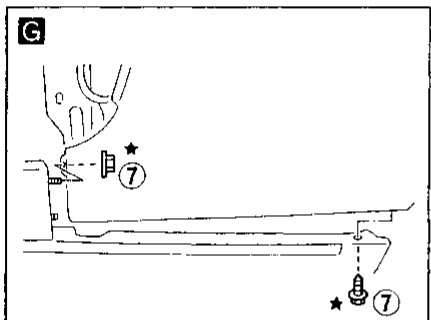
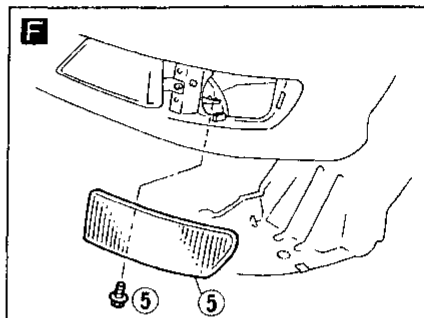
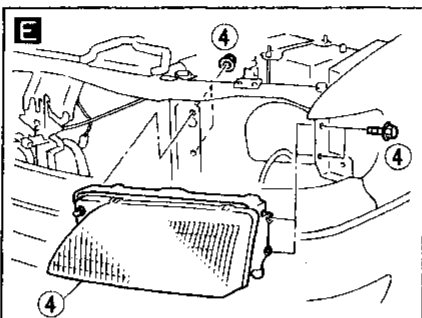
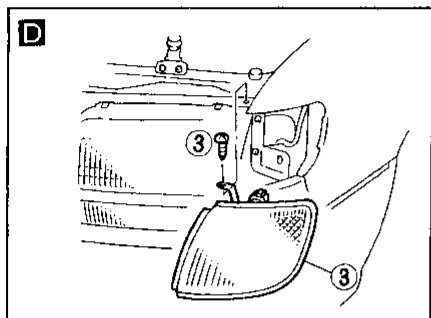
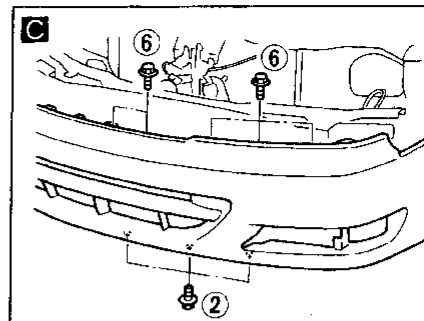
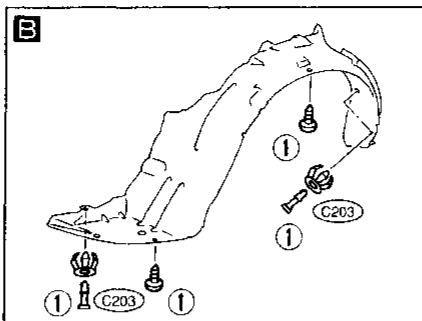
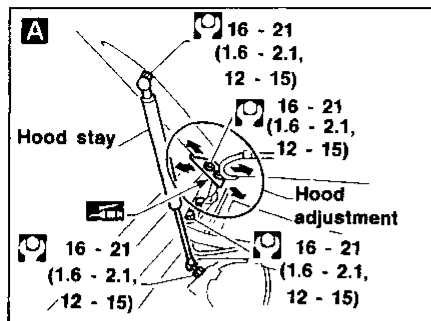
[Bumper rubber free height is approx. 13 mm (0.51 in)]



 : N·m (kg-m, ft-lb)

BODY END

Body Front End (Cont'd)



★ : Bumper assembly mounting bolts & nuts
 [Symbol] : N·m (kg-m, ft-lb)

GI
 MA
 EM
 LC
 EC
 FE
 CL
 MT
 AT
 FA
 RA
 BR
 ST
 RS
BT
 HA
 EL
 IDX

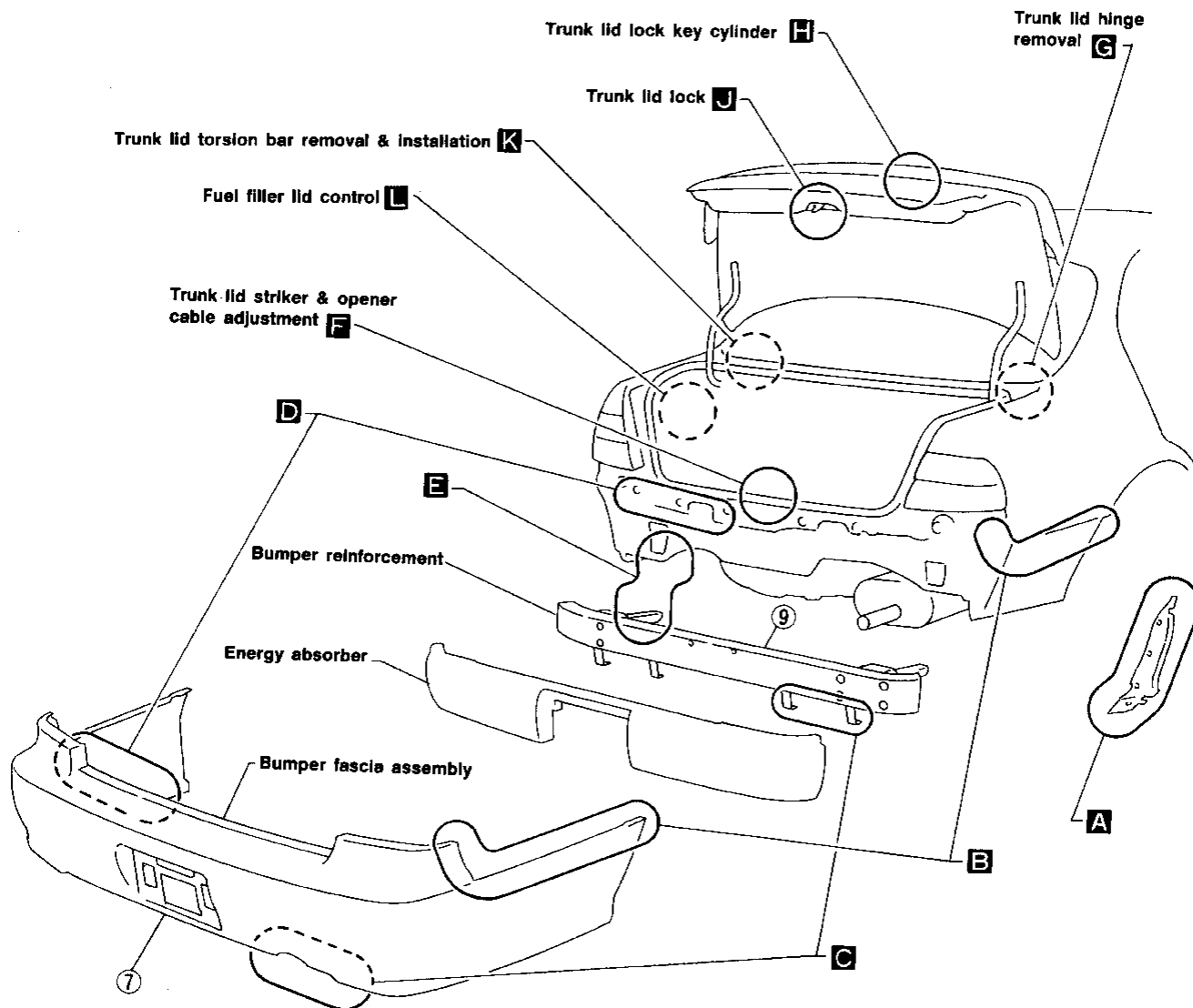
Body Rear End and Opener

- When removing or installing trunk lid, place a cloth or other padding on trunk lid. This prevents vehicle body from being scratched.
- Bumper fascia is made of plastic. Do not use excessive force and be sure to keep oil away from it.
- Trunk lid adjustment: Adjust at hinge-trunk lid portion for proper trunk lid fit.
- Trunk lid lock system adjustment: Adjust striker so that it is in the center of the lock. After adjustment, check trunk lid lock operation.
- After installation, make sure that trunk lid and fuel filler lid open smoothly.
- ★ For Wiring Diagram, refer to "TRUNK LID OPENER" in EL section.

REMOVAL — Rear bumper assembly

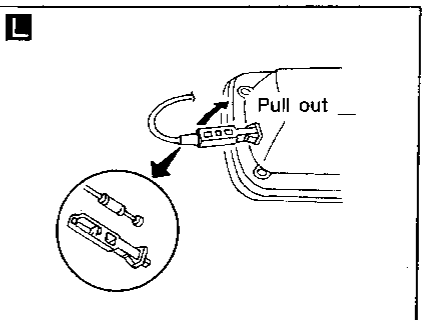
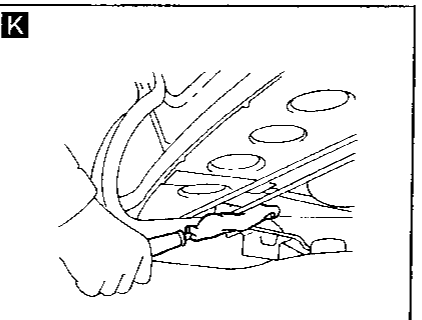
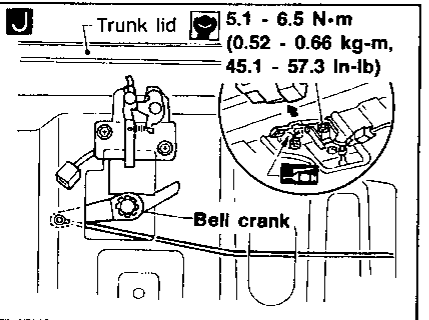
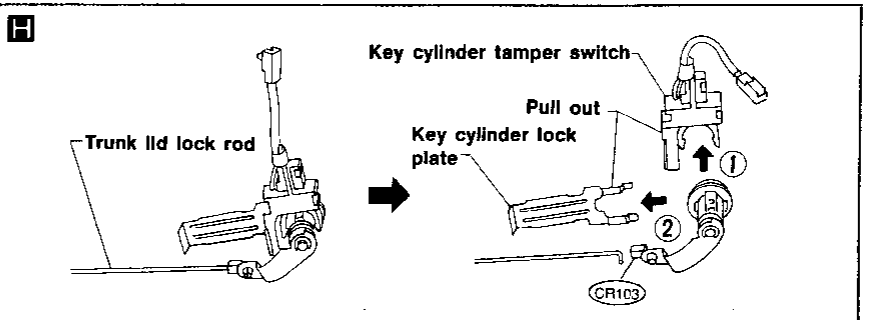
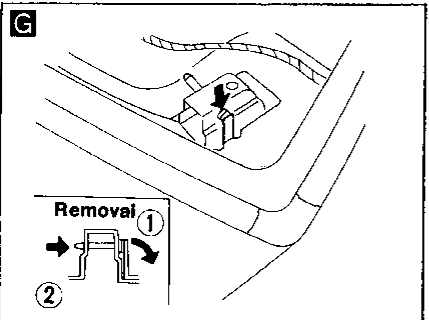
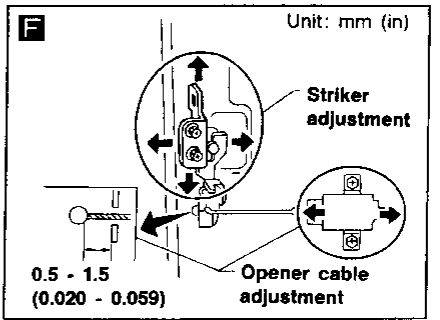
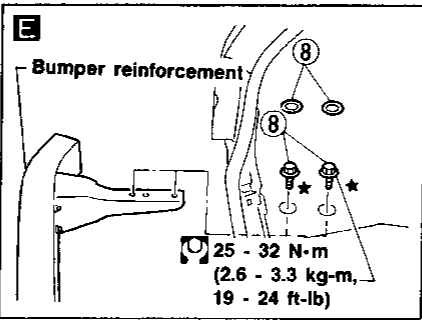
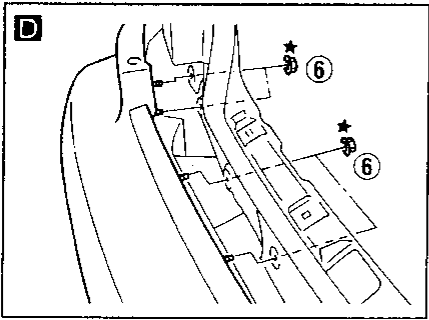
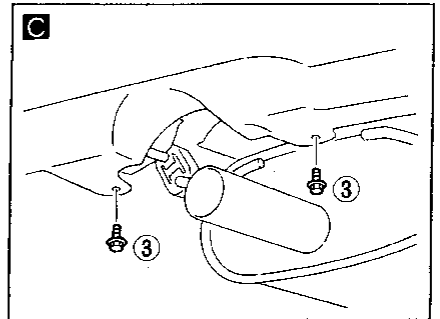
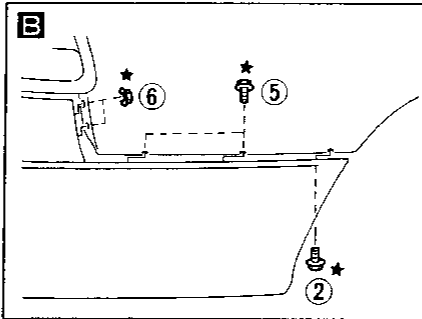
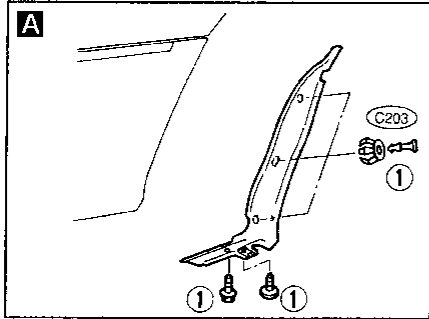
- ① Remove bolts, screws and clips (C203) securing chipping protector. **A**
- ② Remove bolts securing rear fender to bumper fascia. **B**
- ③ Remove bolts from lower side of rear bumper fascia. **C**
- ④ Remove trunk room trim. Refer to "Trunk Room Trim" in "INTERIOR TRIM" for details, BT-19.
- ⑤ Working inside trunk, remove bolts securing left and right rear fenders to bumper fascia. **B**
- ⑥ Working inside trunk, remove nuts securing bumper fascia bracket from trunk compartment. **B D**
- ⑦ Extract bumper fascia assembly. Disconnect license lamp harness connector.
- ⑧ Working inside trunk, remove left and right plugs from floor and then remove bumper reinforcement mounting bolts. **E**
- ⑨ Extract bumper reinforcement.

SEC. 767-843-844-850



BODY END

Body Rear End and Opener (Cont'd)



★ : Bumper assembly mounting bolts & nuts

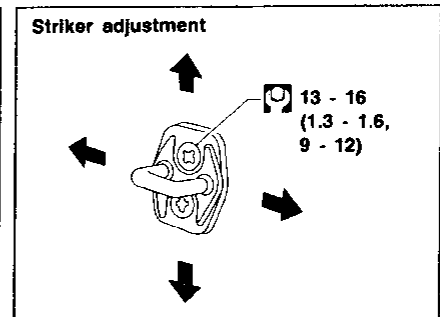
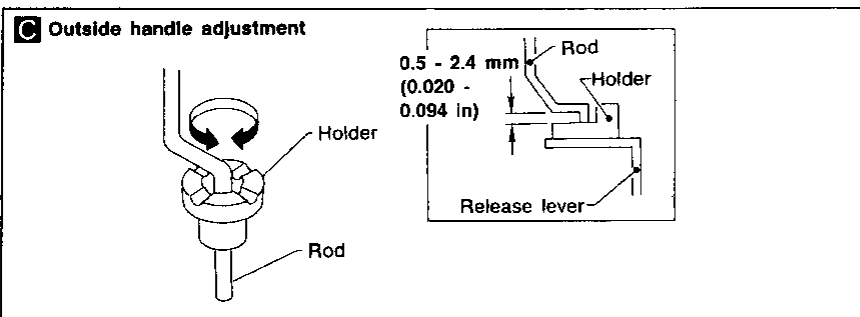
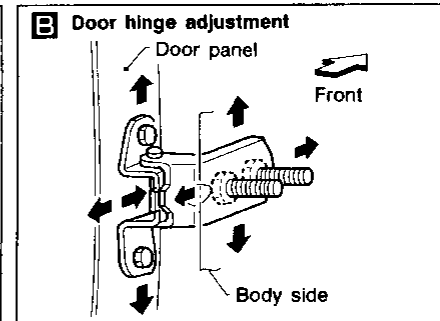
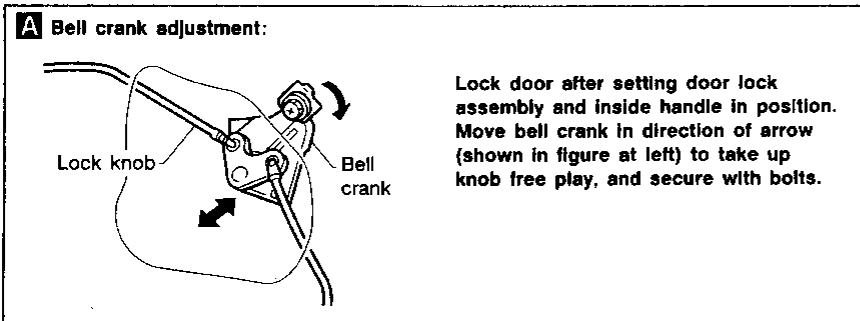
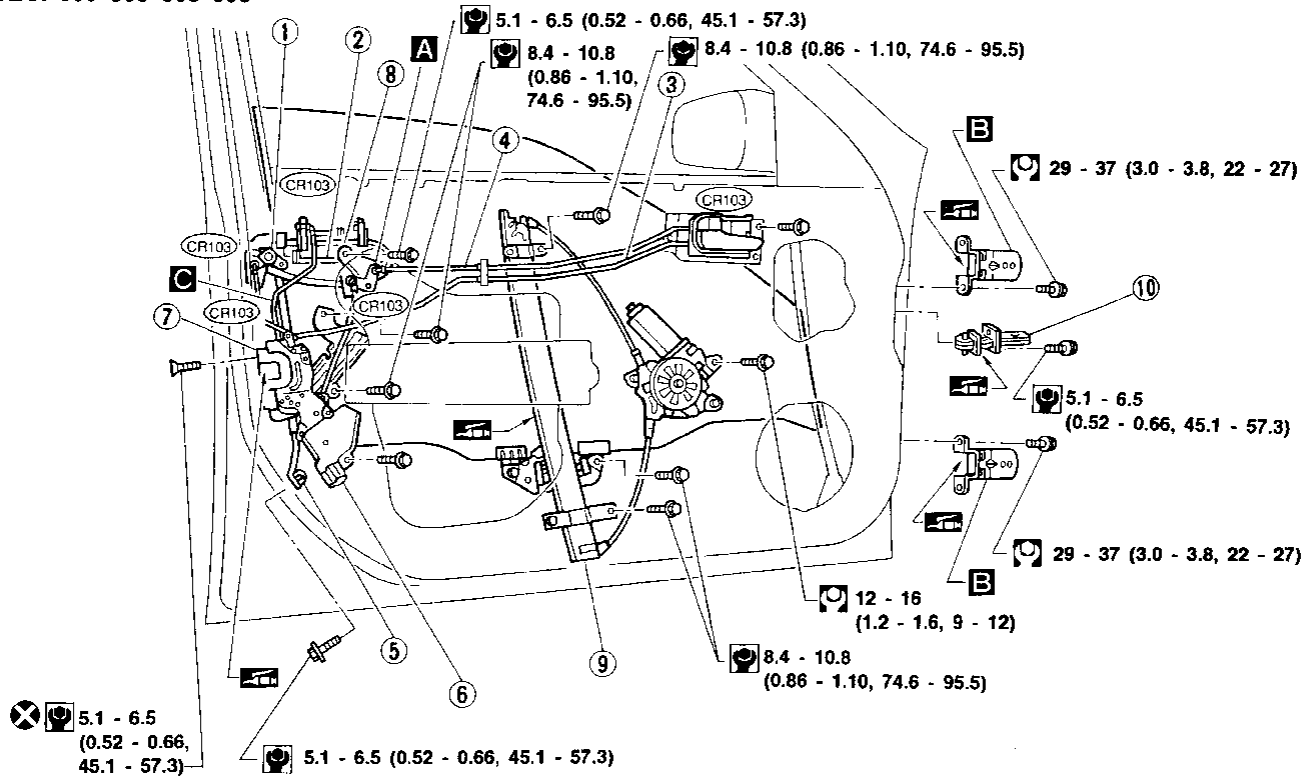
GI
WA
EM
LC
EC
FE
CL
MT
AT
FA
RA
BR
ST
RS
BT
HA
EL
IDX

DOOR

Front Door

- For removal of door trim, refer to "Door Trim" in "INTERIOR TRIM" (BT-17).
- After adjusting door or door lock, check door lock operation.

SEC. 800-803-805-998



- ⊗ : N·m (kg-m, ft-lb)
- ⊙ : N·m (kg-m, in-lb)

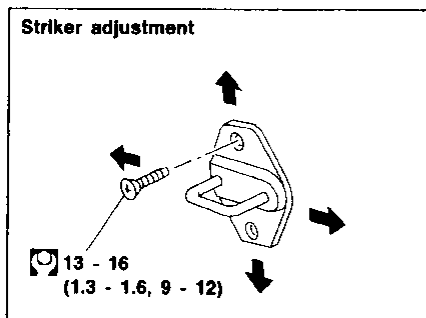
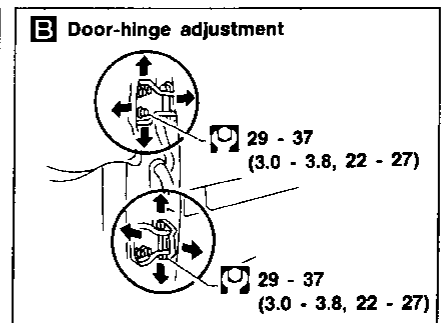
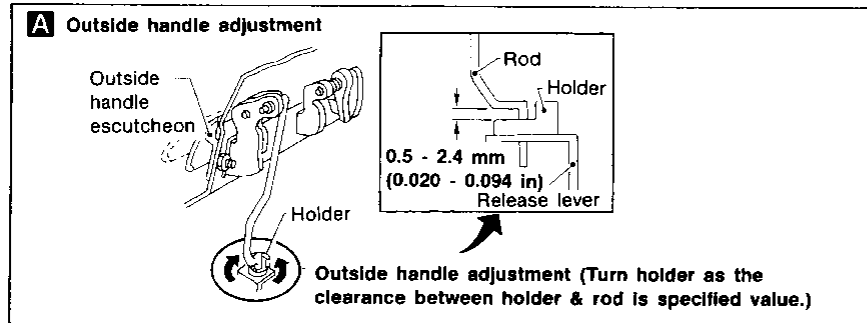
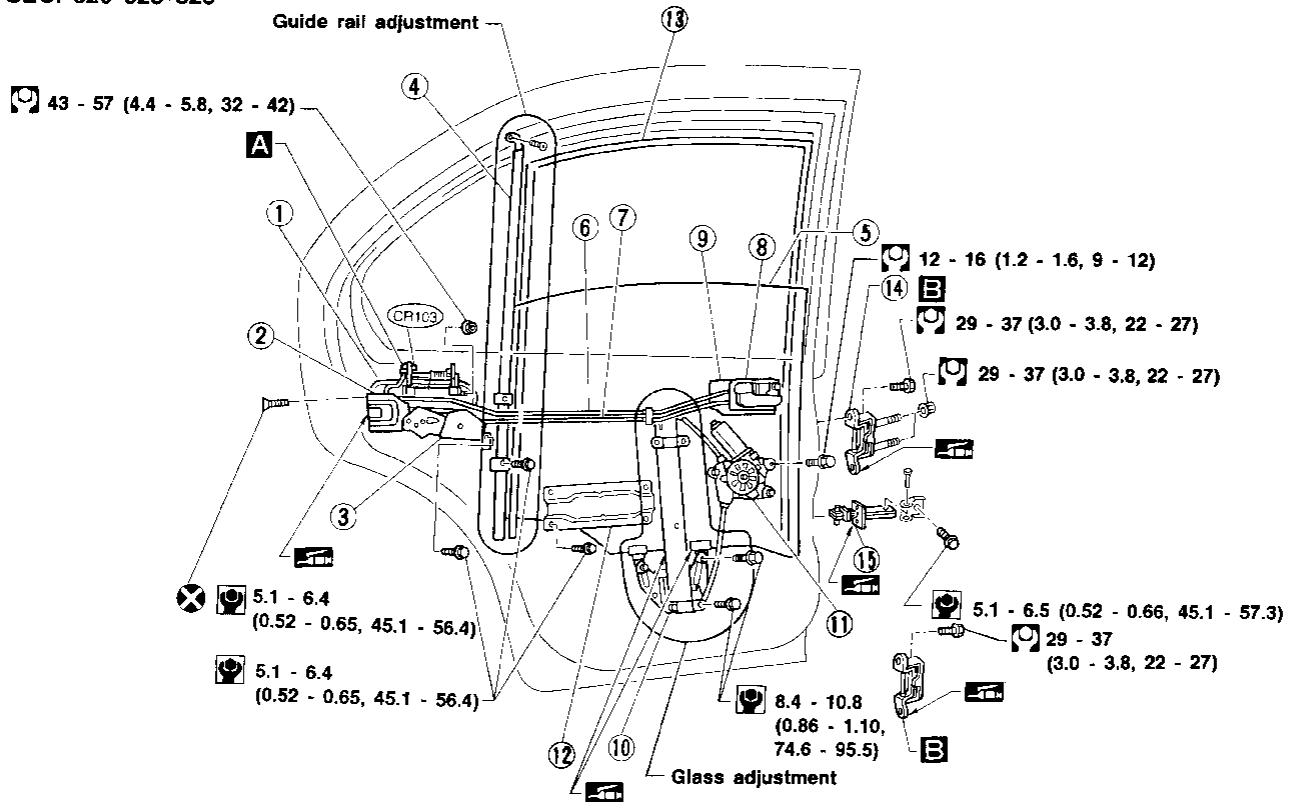
SBF331HB

- ① Key cylinder
- ② Outside handle
- ③ Inside handle rod
- ④ Lock knob rod
- ⑤ Guide rail adjustment
- ⑥ Door lock actuator
- ⑦ Door lock assembly
- ⑧ Bell crank adjustment
- ⑨ Regulator assembly
- ⑩ Check link assembly

DOOR

Rear Door

SEC. 820-823-825



⊙ : N·m (kg-m, in-lb)
 ⊕ : N·m (kg-m, ft-lb)

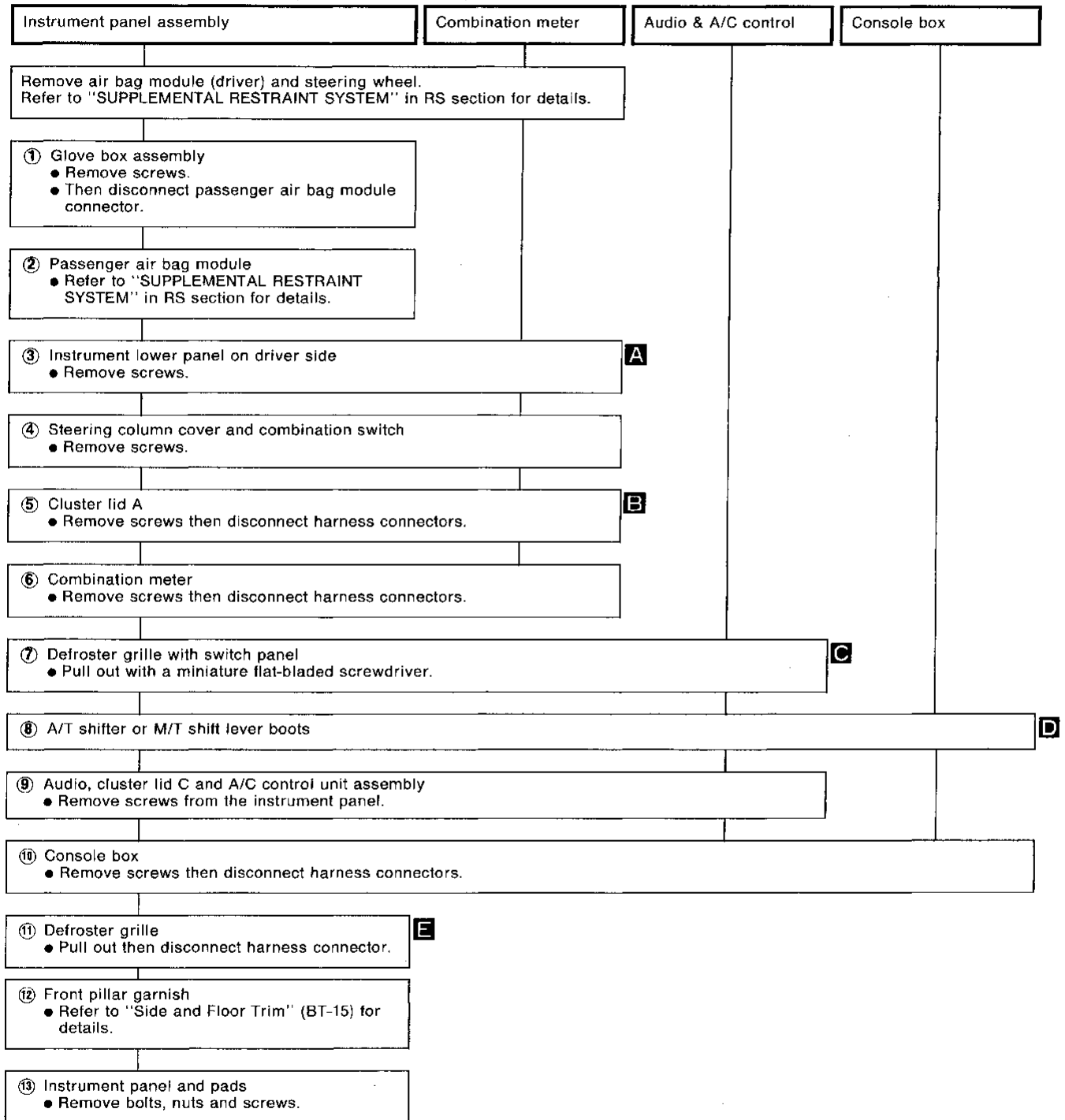
- | | | |
|----------------------|-------------------------|-----------------------|
| ① Outside handle | ⑥ Lock knob rod | ⑪ Motor |
| ② Door lock assembly | ⑦ Inside handle rod | ⑫ Inner bracket |
| ③ Door lock actuator | ⑧ Inside handle | ⑬ Glass run rubber |
| ④ Guide channel | ⑨ Inside handle bracket | ⑭ Door hinge |
| ⑤ Glass | ⑩ Regulator assembly | ⑮ Check link assembly |

INSTRUMENT PANEL

CAUTION:

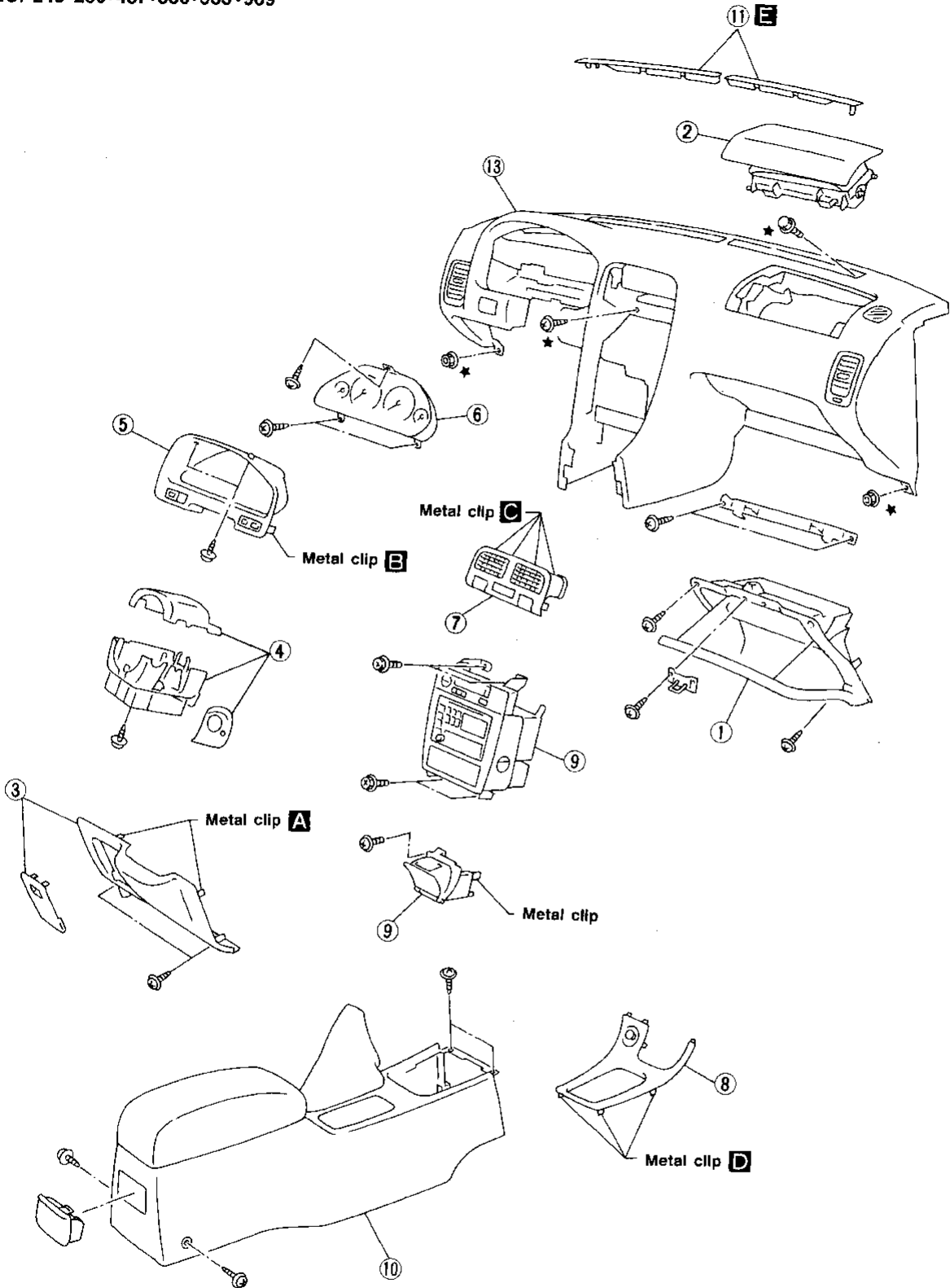
- Disconnect both battery cables in advance.
- Disconnect air bag system line in advance.
- Never tamper with or force air bag lid open, as this may adversely affect air bag performance.
- Be careful not to scratch pad and other parts.

REMOVAL — Instrument panel assembly



INSTRUMENT PANEL

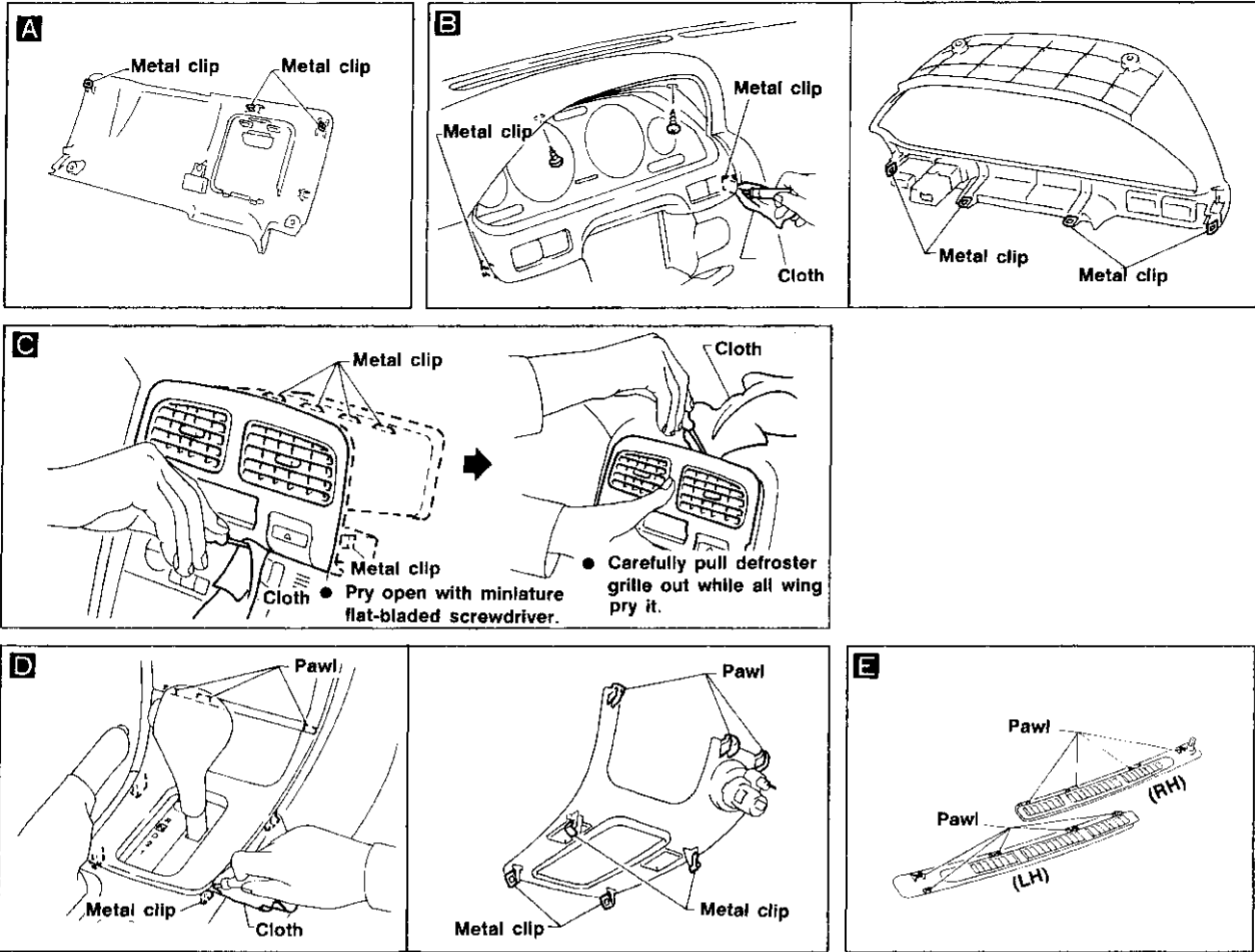
SEC. 248-280-487-680-685-969



GI
MA
EW
LC
EC
FE
CL
MT
AT
FA
RA
BR
ST
RS
BT
HA
EL
IDX

★: Instrument panel assembly mounting bolts, nuts and screws

INSTRUMENT PANEL



INTERIOR TRIM

Side and Floor Trim

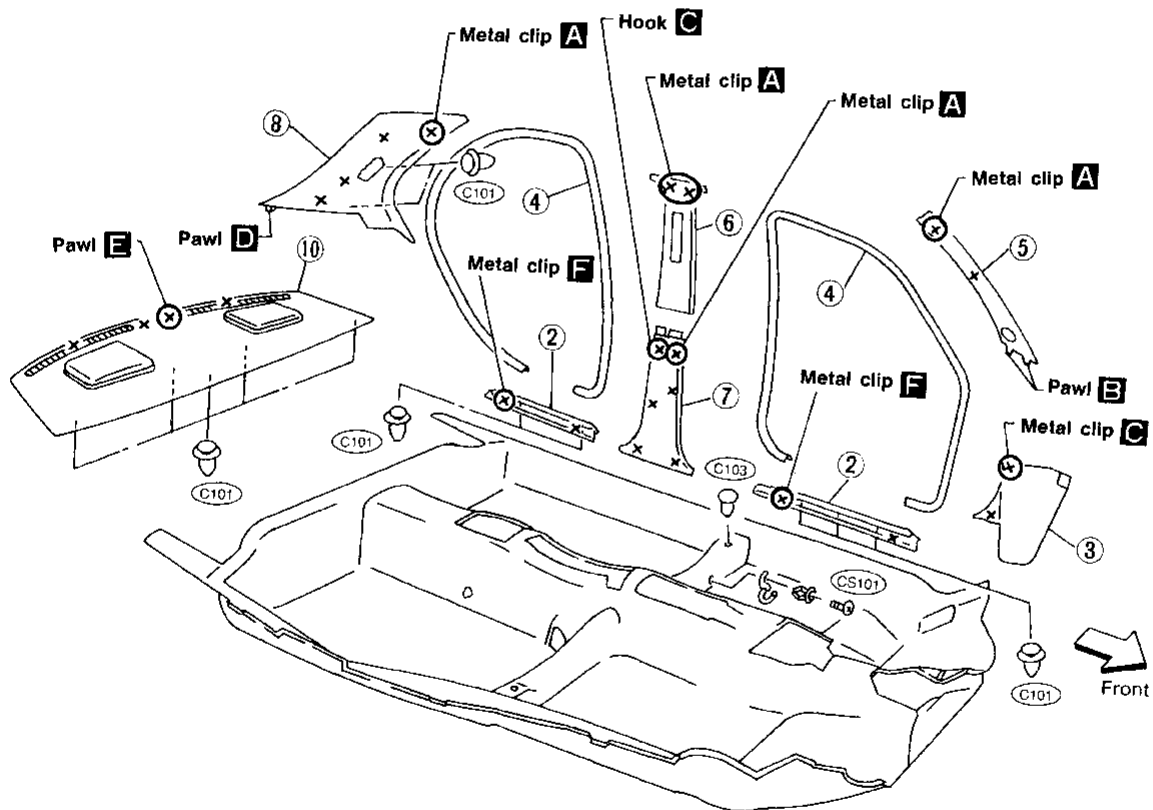
CAUTION:

Wrap the tip of flat-bladed screwdriver with a cloth when removing metal clips from garnishes.

REMOVAL — Body side trim

- ① Remove front and rear seats. Refer to "SEAT" for details, BT-26.
- ② Remove front and rear kicking plates.
- ③ Remove dash side lower finishers.
- ④ Remove front and rear body side welts.
- ⑤ Remove front pillar garnishes.
- ⑥ Remove center pillar upper garnishes.
- ⑦ Remove center pillar lower garnishes.
- ⑧ Remove rear pillar garnishes.
- ⑨ Remove high-mounted stop lamp. (Model without rear air spoiler)
- ⑩ Remove rear parcel shelf finisher.

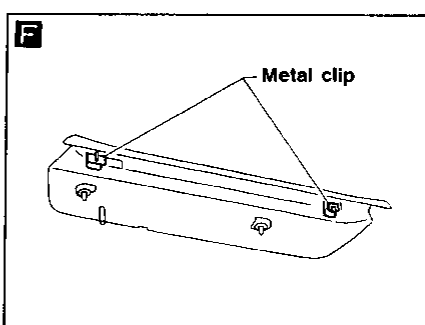
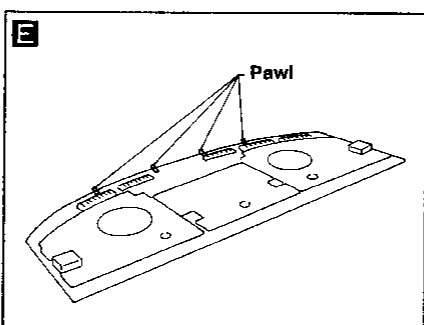
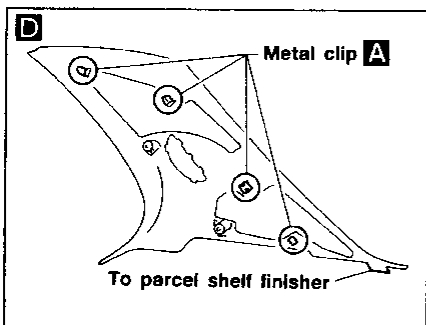
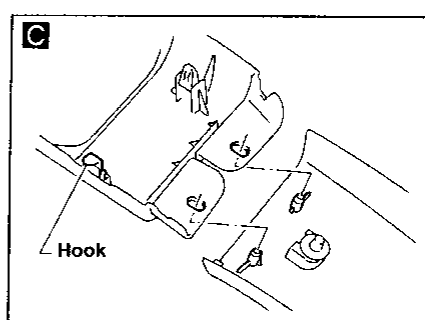
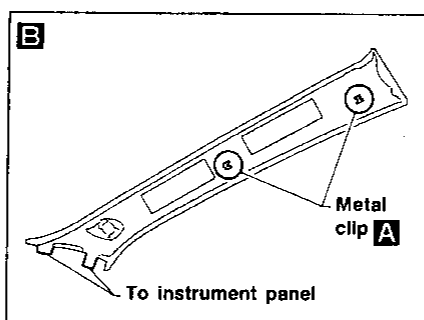
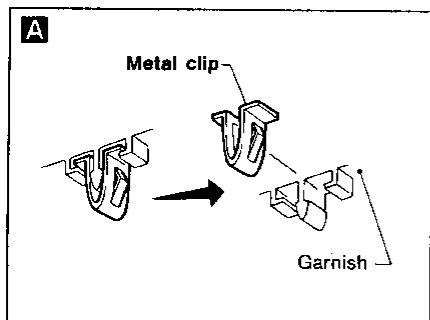
SEC. 284-678-749-769-799



GI
MA
EM
LC
EC
FE
CL
MT
AT
FA
RA
BR
ST
RS
BT
HA
EL
IDX

INTERIOR TRIM

Side and Floor Trim (Cont'd)



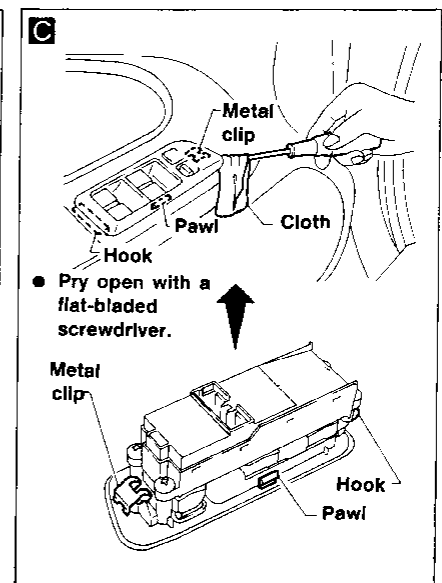
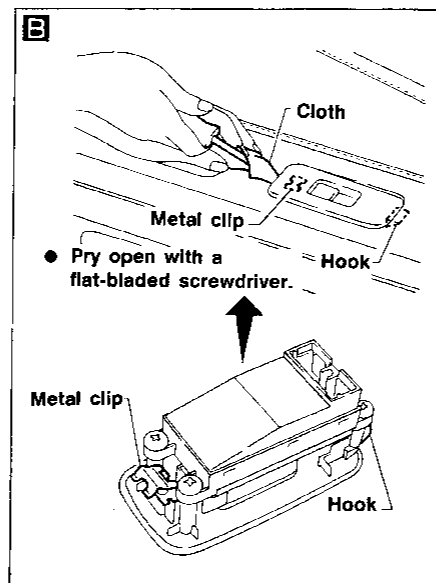
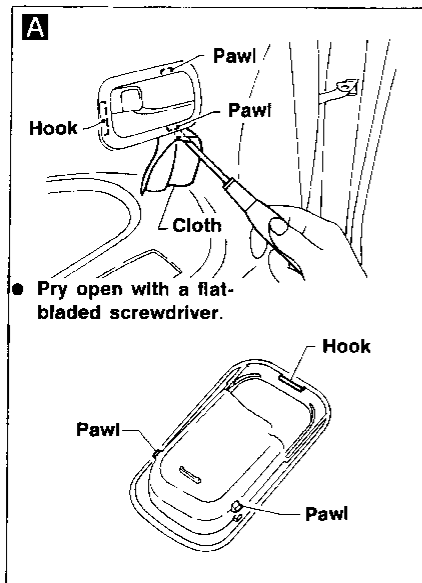
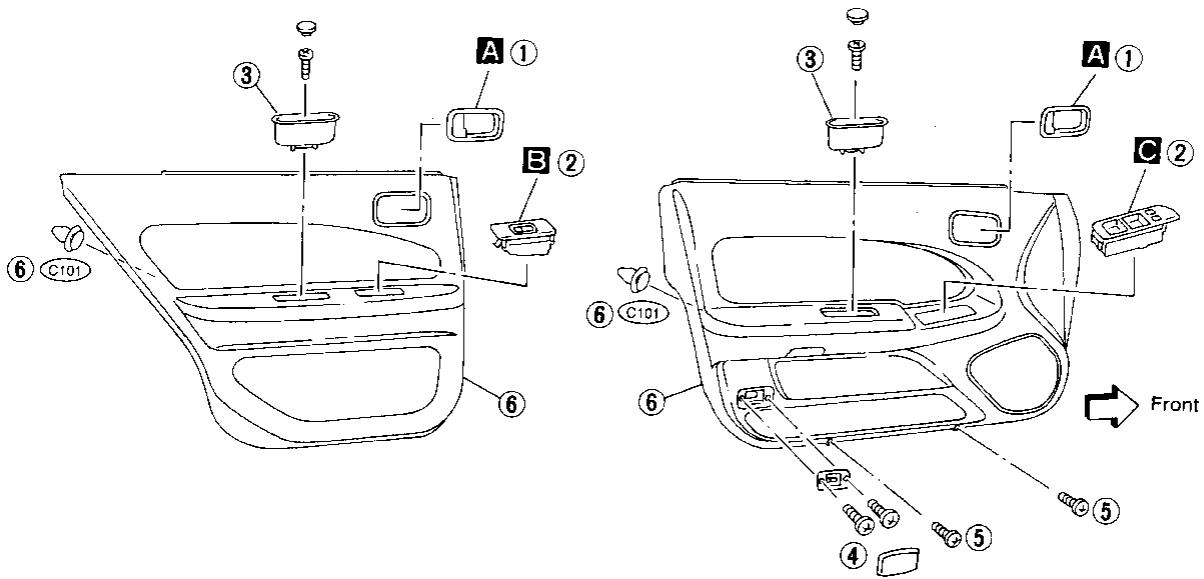
INTERIOR TRIM

Door Trim

REMOVAL — Door trim

- 1 Remove inside handle escutcheon.
- 2 Remove power window switches, then disconnect the connectors.
- 3 Remove screw securing pull handle, and then remove pull handle.
- 4 Remove step lamp lens and screws securing step lamp, and then disconnect step lamp connector.
- 5 Remove screws securing door finisher.
- 6 Pull door finisher to remove clips (C101) from door panel and remove door finisher. Disconnect harness connectors.

SEC. 251-267-809-828



GI

WA

EM

LC

EC

FE

CL

MT

AT

FA

RA

BR

ST

RS

BT

HA

EL

IDX

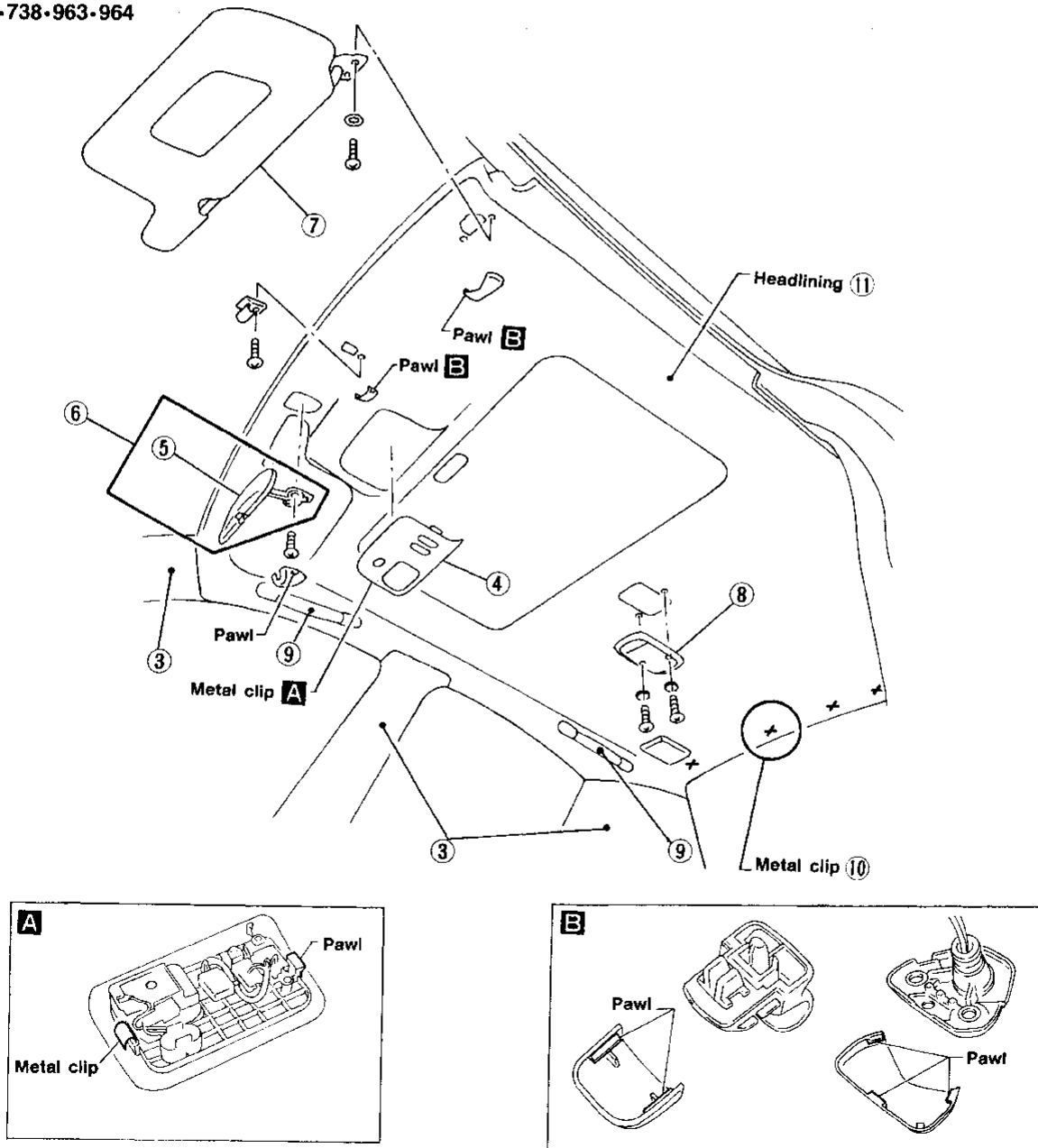
INTERIOR TRIM

Roof Trim

REMOVAL — Headlining

- ① Remove front and rear seats. Refer to "SEAT" for details, BT-26.
- ② Remove front and rear seat belts. Refer to "SEAT BELTS" in RS section for details.
- ③ Remove body side trim. Refer to "Side and Floor Trim" for details, BT-15.
- ④ Remove sunroof switch or spot lamp switch.
- ⑤ Remove inside mirror assembly.
- ⑥ Disconnect automatic antidazzling inside mirror connector. (Equipped with automatic antidazzling inside mirror).
- ⑦ Remove sun visors.
- ⑧ Remove interior lamp assembly.
- ⑨ Remove assist grips.
- ⑩ Remove metal clips securing headlining.
- ⑪ Remove headlining.

SEC. 264-738-963-964

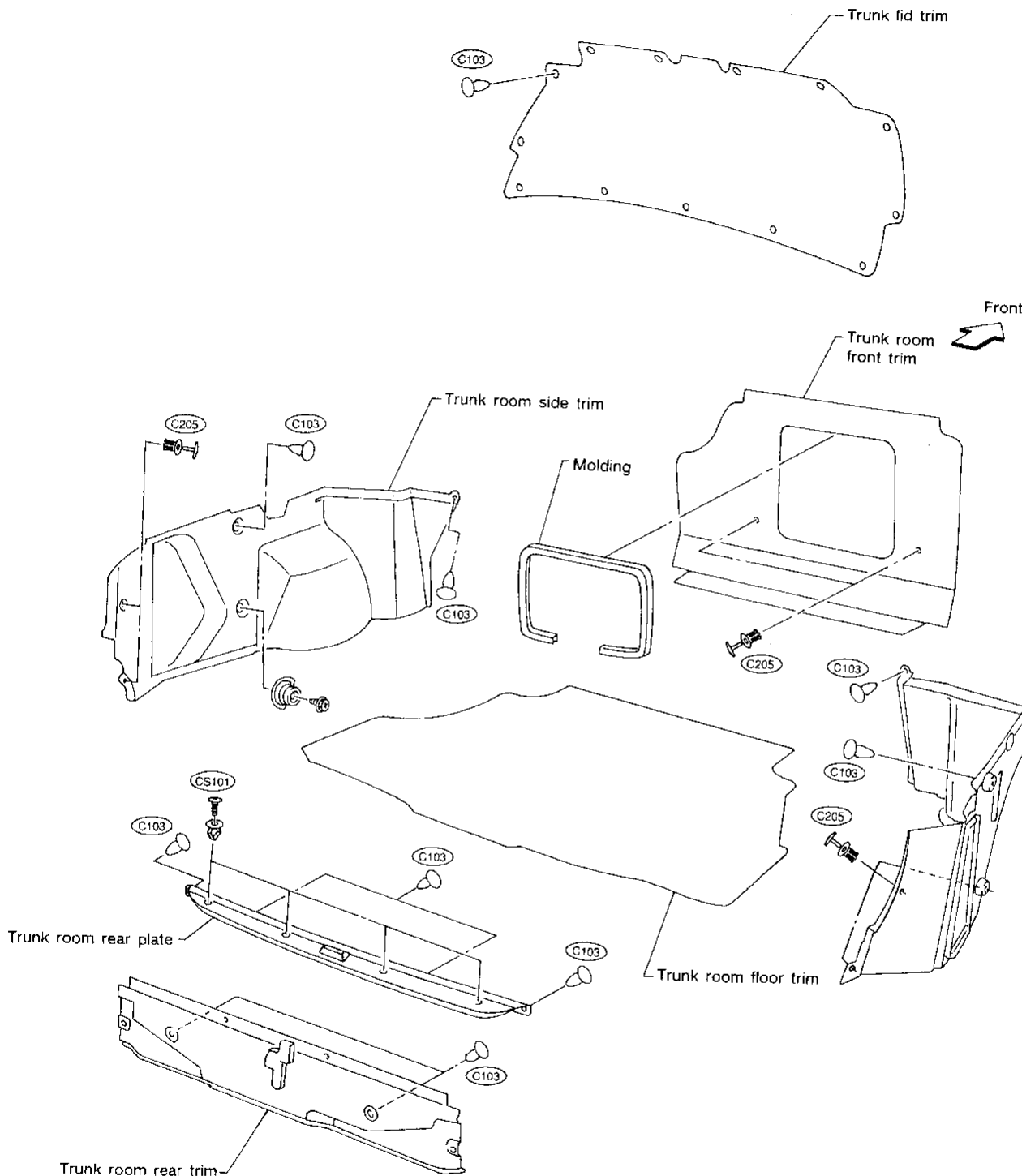


MBT090A

INTERIOR TRIM

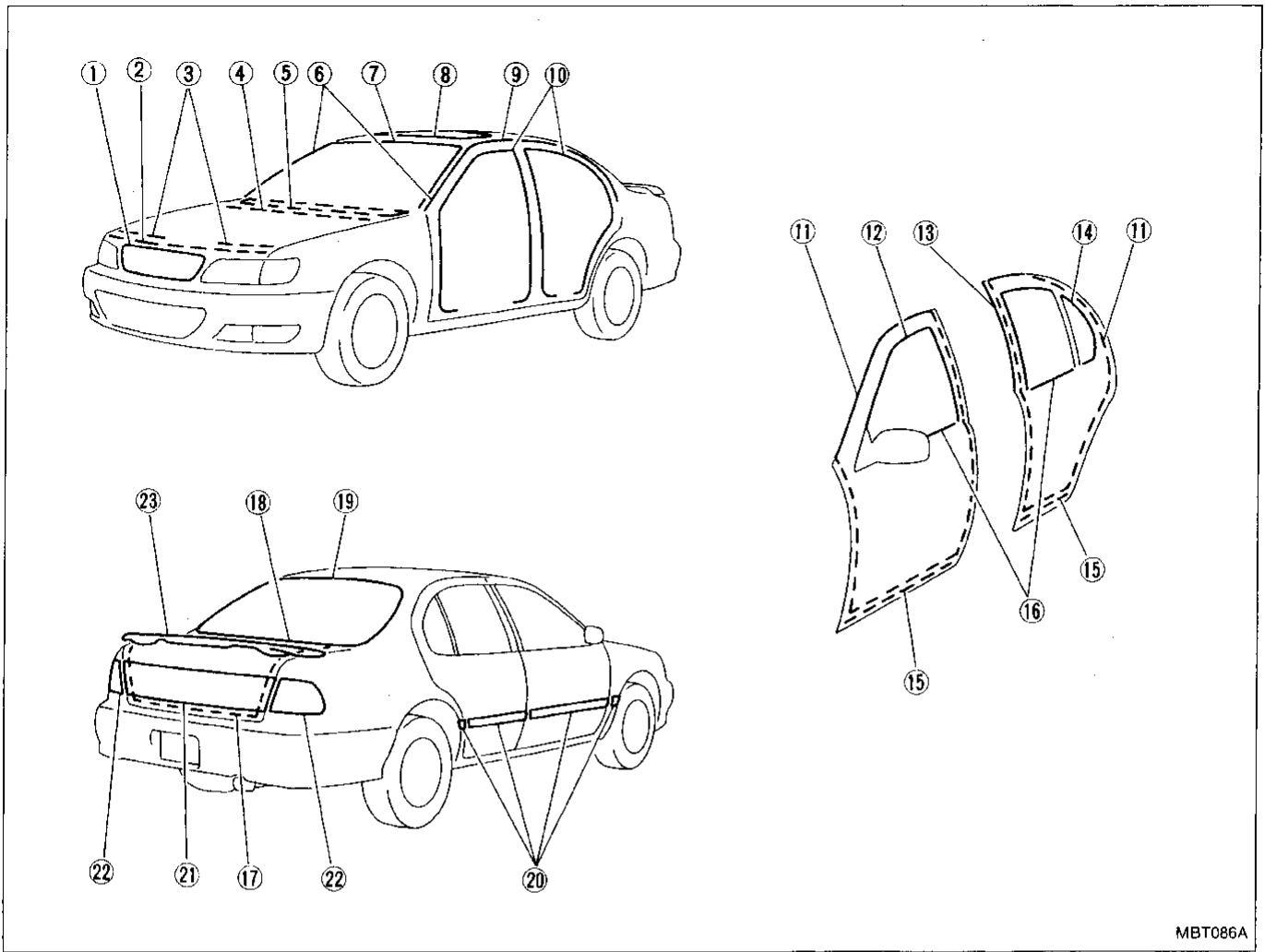
Trunk Room Trim

SEC. 849



GI
MA
EM
LC
EC
FE
CL
MT
AT
FA
RA
BR
ST
RS
BT
HA
EL
IDX

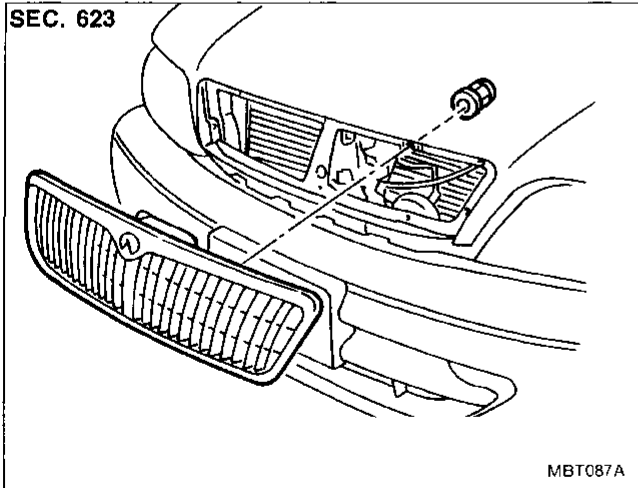
EXTERIOR



MBT086A

① Front hood grille

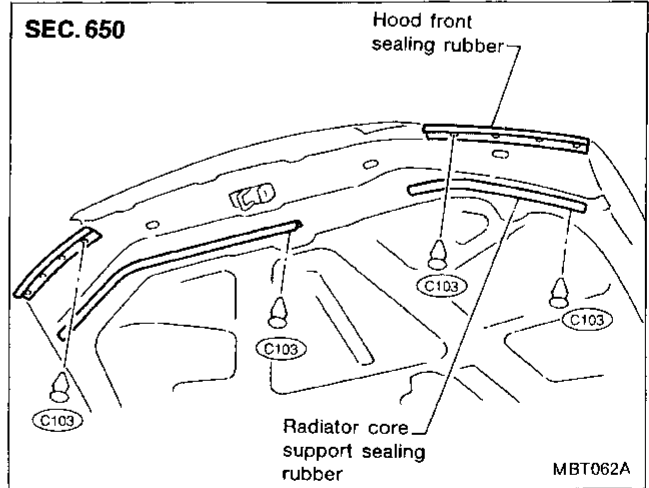
SEC. 623



MBT087A

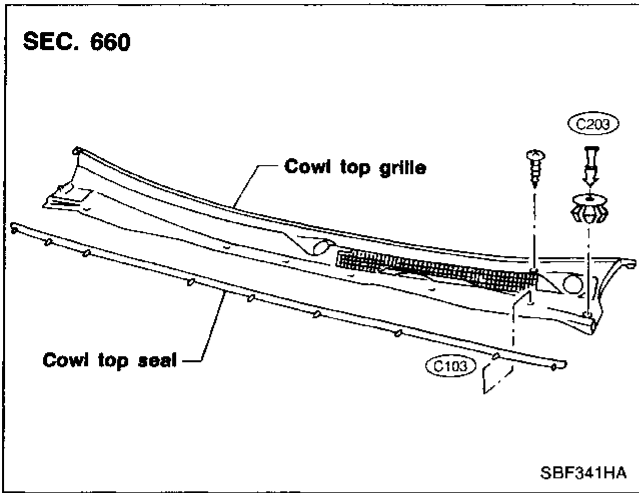
② ③ Hood front sealing rubber

SEC. 650

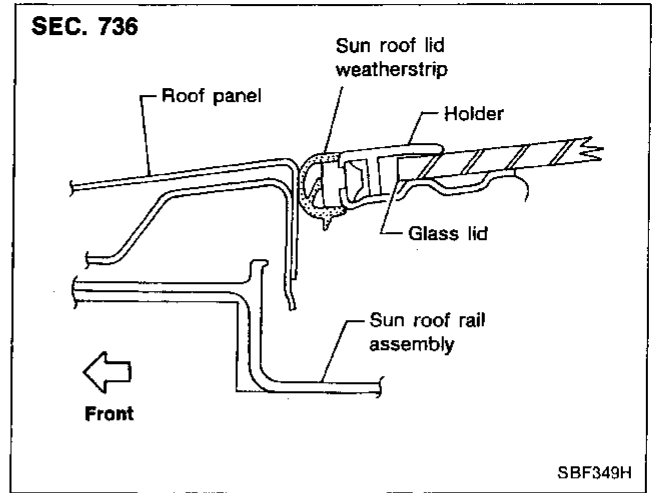


MBT062A

④ ⑤ Cowl top seal and cowl top grille



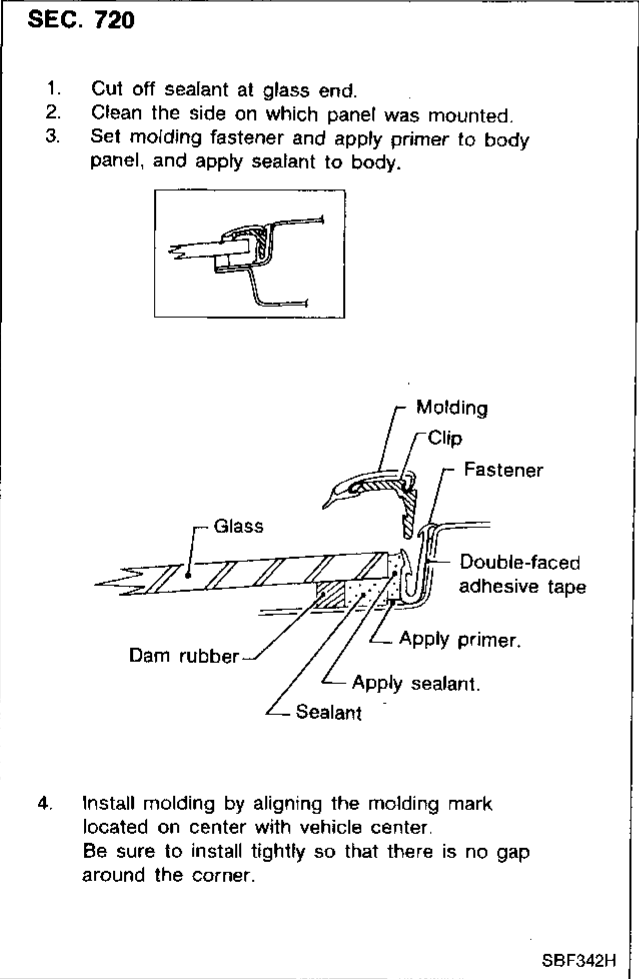
⑧ Sun roof lid weatherstrip



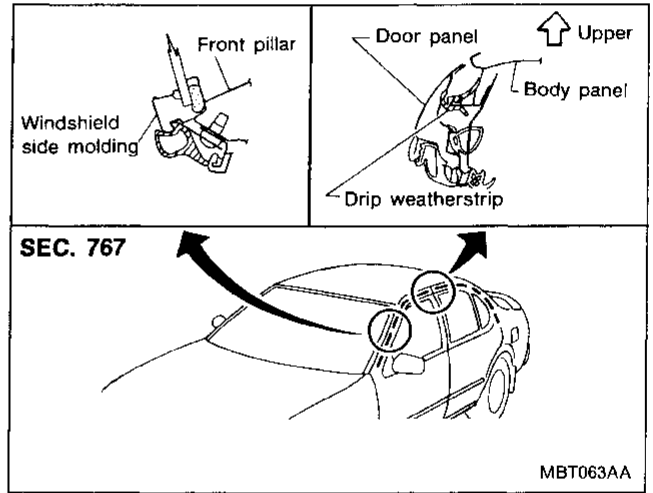
⑥ Windshield side molding

Mounted with screws.

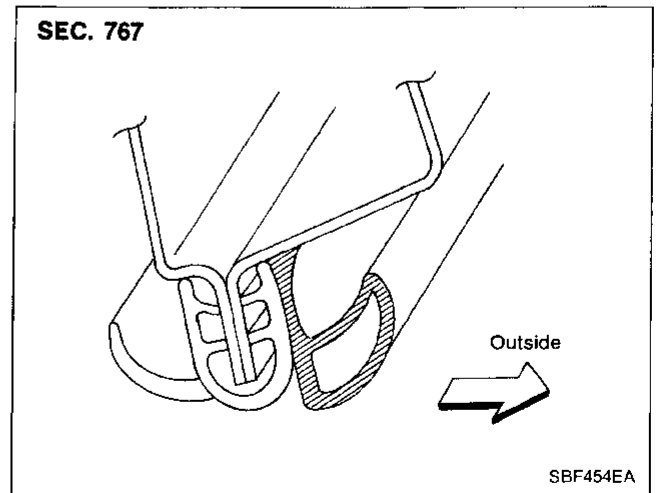
⑦ Windshield upper molding



⑨ Drip weatherstrip

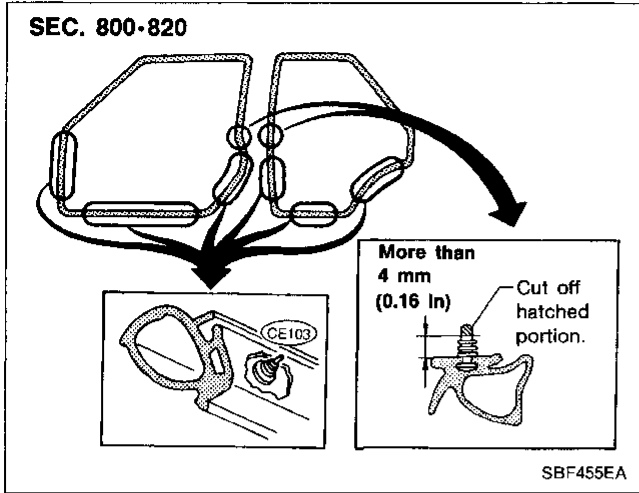


⑩ Body side welt

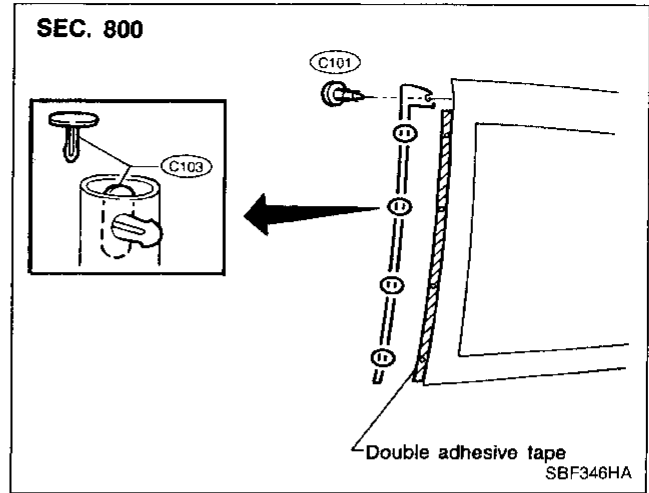


GI
MA
EM
LC
EC
FE
CL
MT
AT
FA
RA
BR
ST
RS
BT
HA
EL
DX

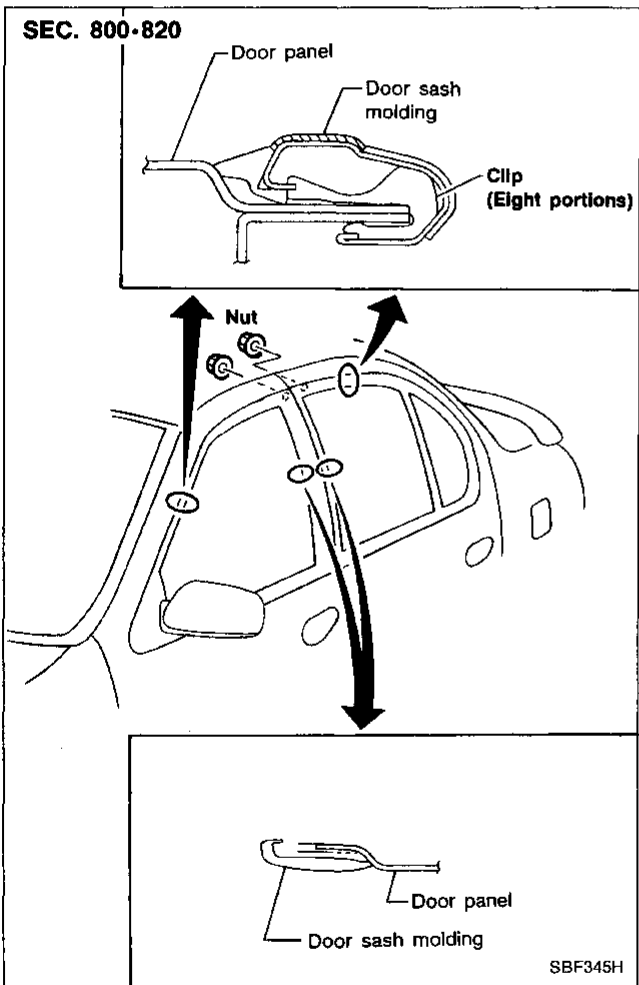
⑪ Door weatherstrip



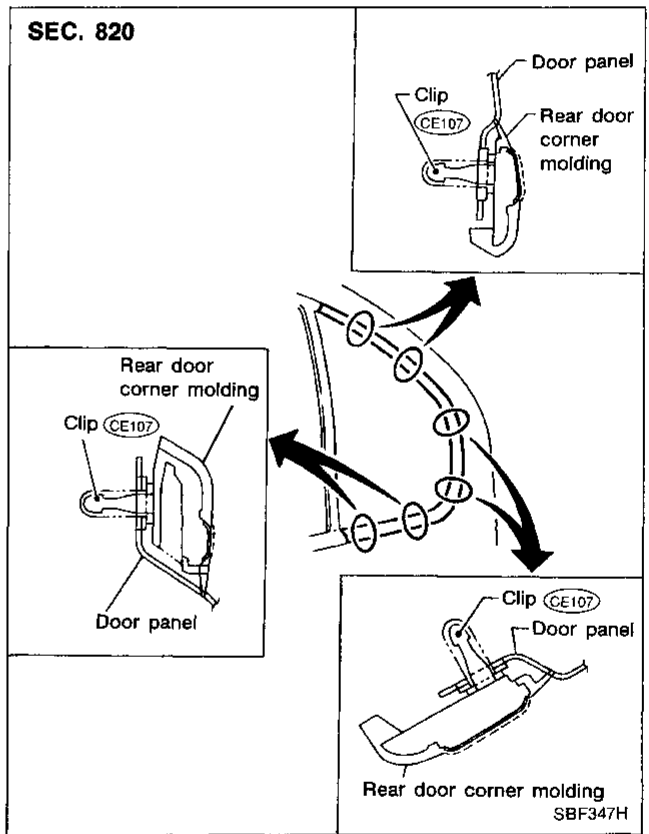
⑬ Front door parting seal



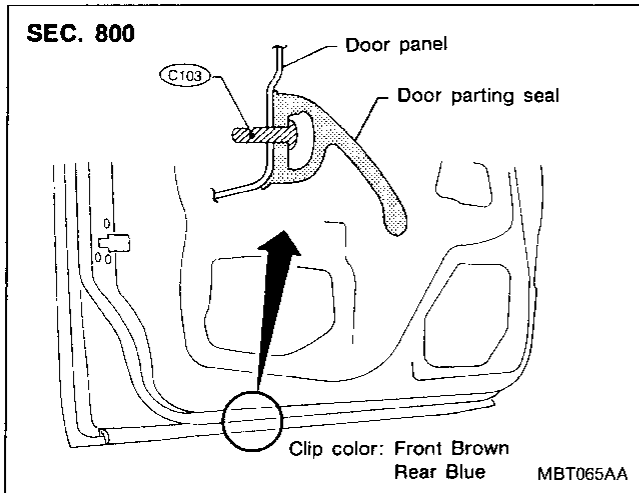
⑫ Door sash molding



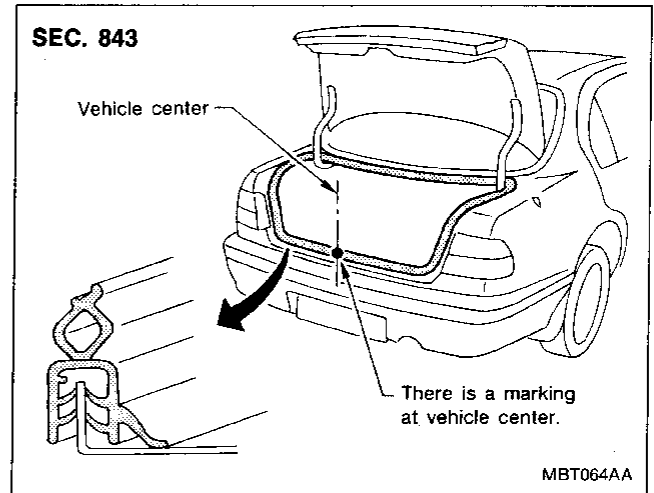
⑭ Rear door corner molding



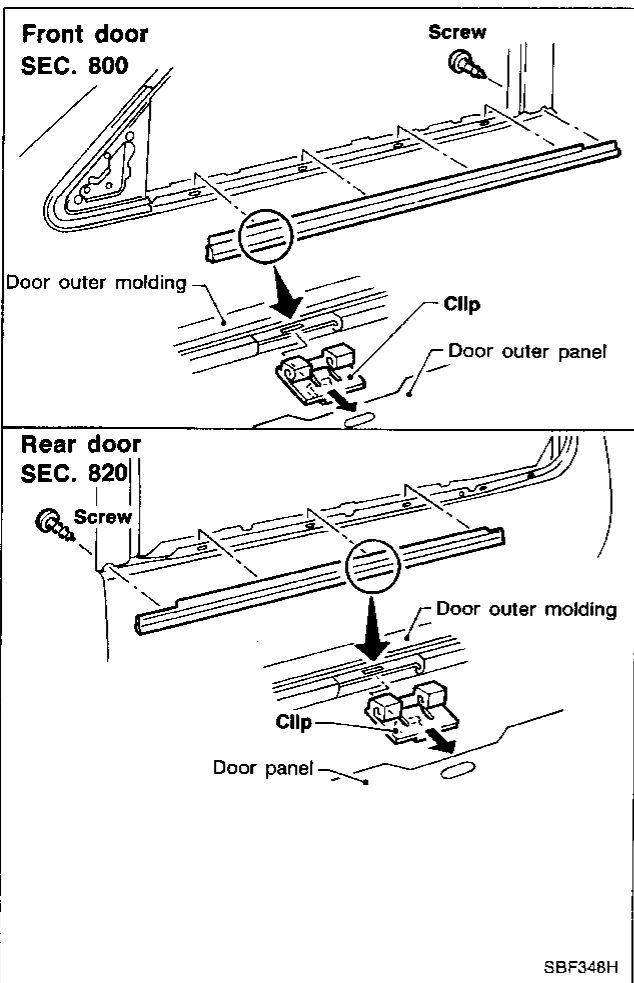
15 Door parting seal



17 Trunk lid weatherstrip



16 Door outside molding



18 Rear window lower molding

Mounted with screws.

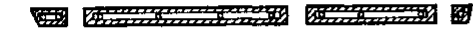
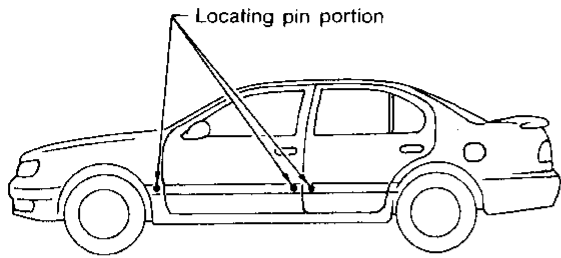
19 Rear window upper molding and side molding


Basically the same as windshield upper molding. Refer to 7 Windshield upper molding.

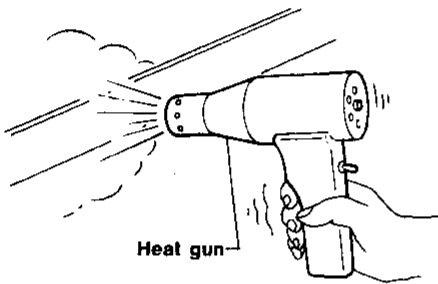
CI
MA
EM
LC
EC
FE
CL
MT
AT
FA
RA
BR
ST
RS
BT
HA
EL
DX

20 Side guard molding

SEC. 766



 : Double-faced adhesive tape



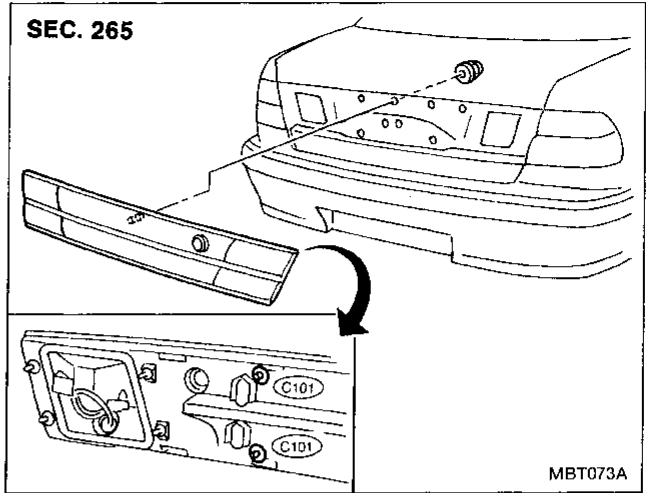
MBT075AA

- With a vehicle coated with Hard Clear Coat, use double-faced 3M adhesive tape Product No. 4210 or equivalent, after priming with 3M primer Product No. N-200 or C-100 or equivalent.

21 Rear panel finisher

- Rear panel finisher is installed with nuts, clips and butyl sealant.

SEC. 265

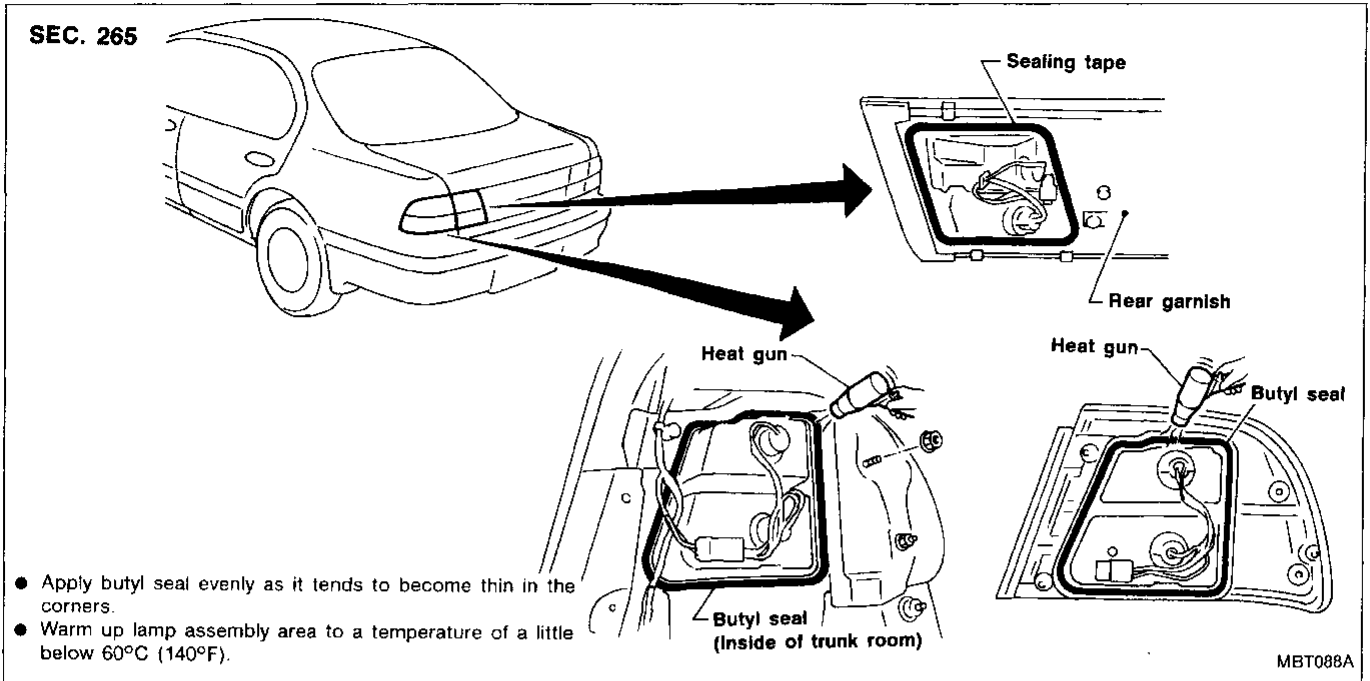


MBT073A

EXTERIOR

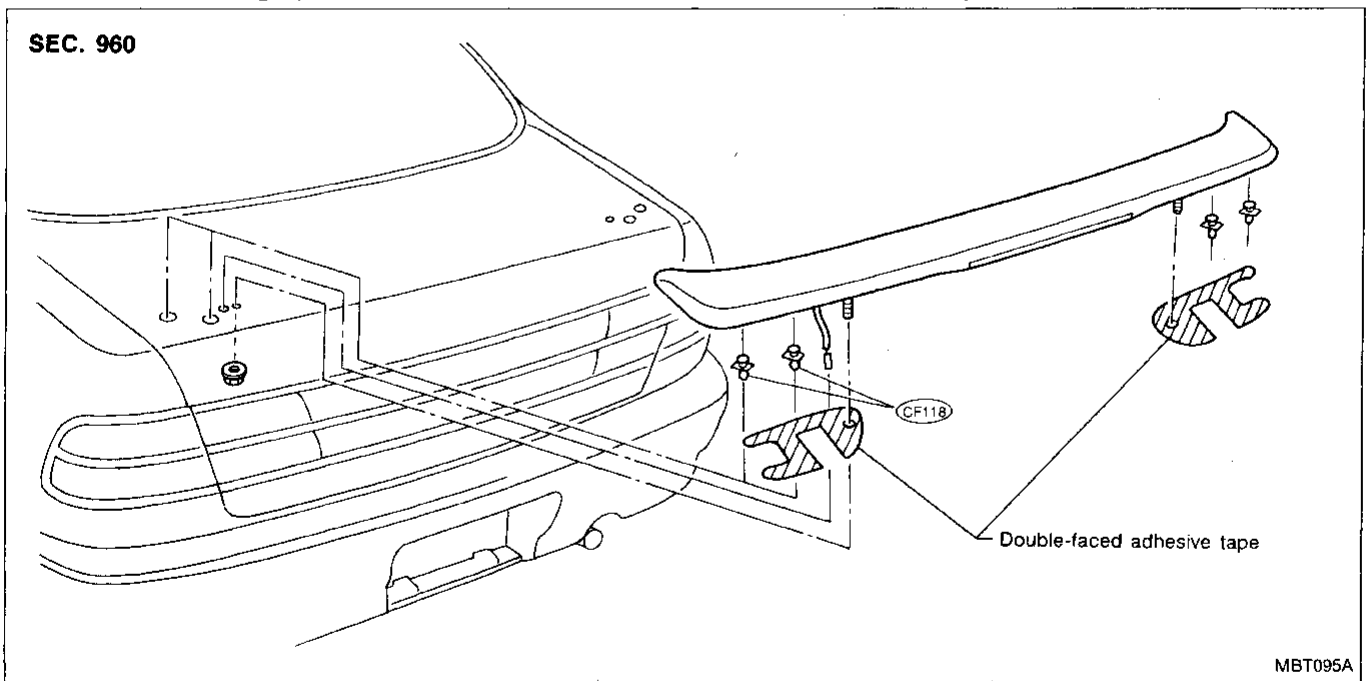
22 Rear combination lamp

- Rear combination lamps are installed with nuts and butyl sealant.



23 Rear air spoiler

- When installing, make sure that there are not gaps or waves at ends of air spoiler.
- Before installing spoiler, clean and remove oil from surface where spoiler will be mounted.



GI

MA

EM

LC

EC

FE

CL

MT

AT

FA

RA

BR

ST

RS

BT

HA

EL

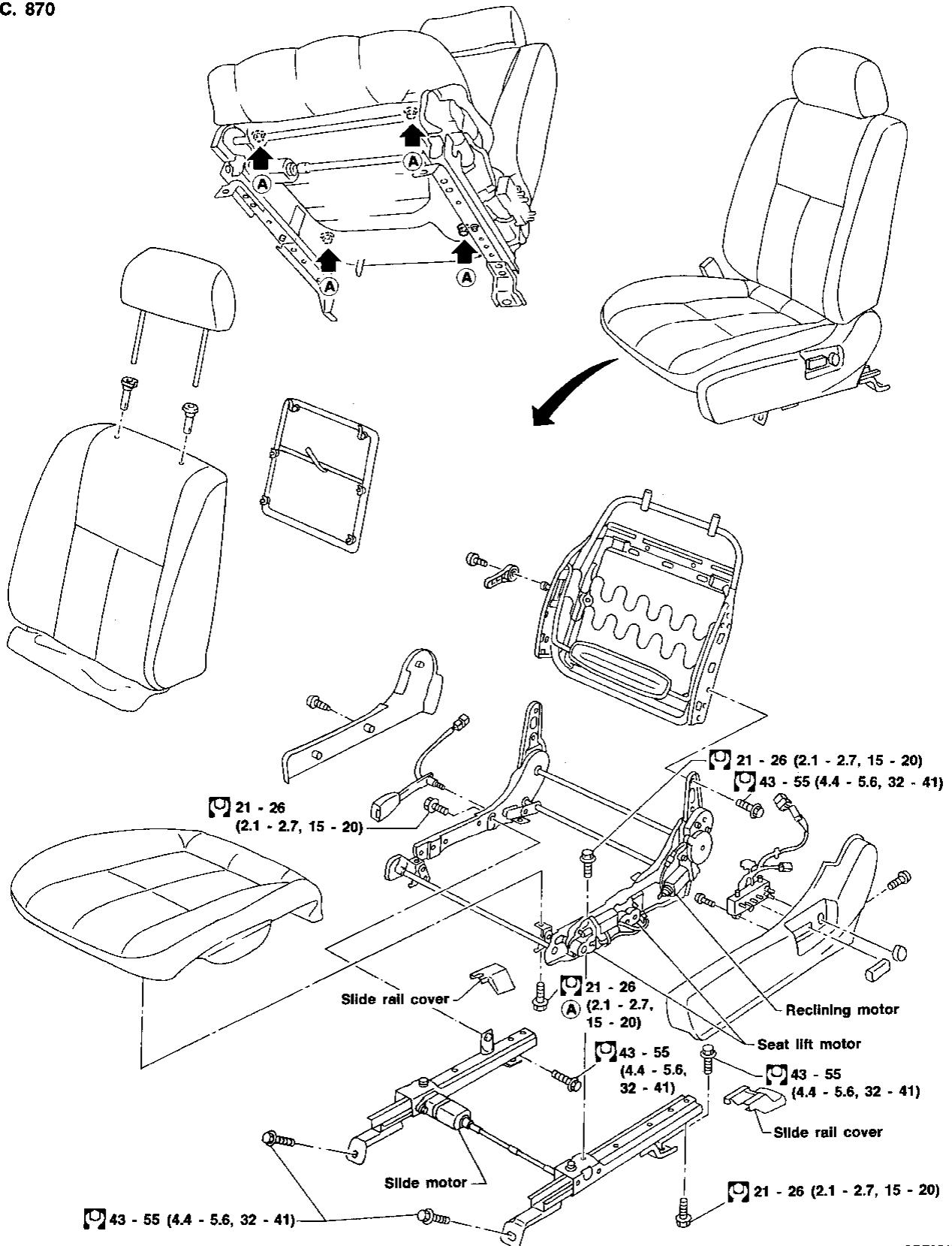
HOX

SEAT

- When removing or installing the seat trim, carefully handle it to keep dirt out and avoid damage.
- ★ For Wiring Diagram, refer to "POWER SEAT" in EL section.

Front Seat

SEC. 870



: N·m (kg·m, ft·lb)

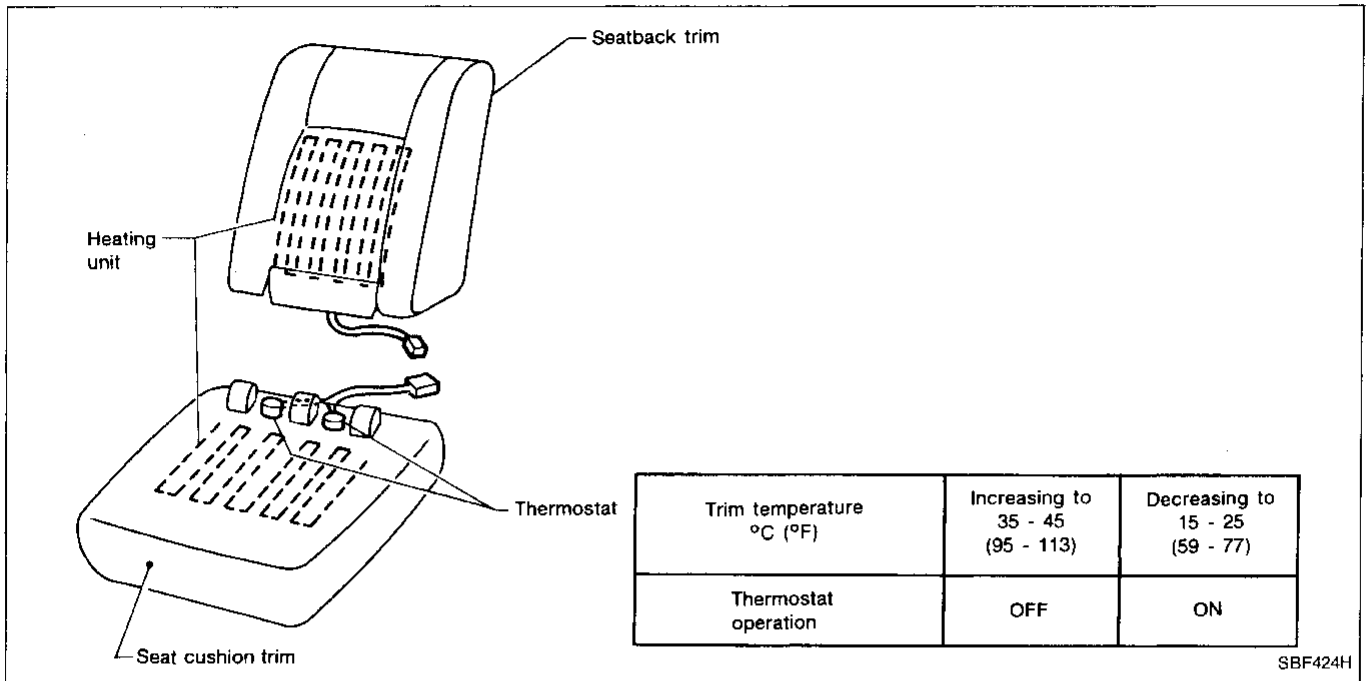
SBF351H

BT-26

Heated Seat

- When handling seat, be extremely careful not to scratch heating unit.
- To replace heating unit, seat trim and pad should be separated.
- Do not use any organic solvent, such as thinner, benzene, alcohol, gasoline, etc. to clean trims.

Seatback heating unit removal & installation



★ For Wiring Diagram, refer to “HEATED SEAT” in EL section.

GI

MA

EM

LC

EC

FE

CL

MT

AT

FA

RA

BR

ST

RS

BT

HA

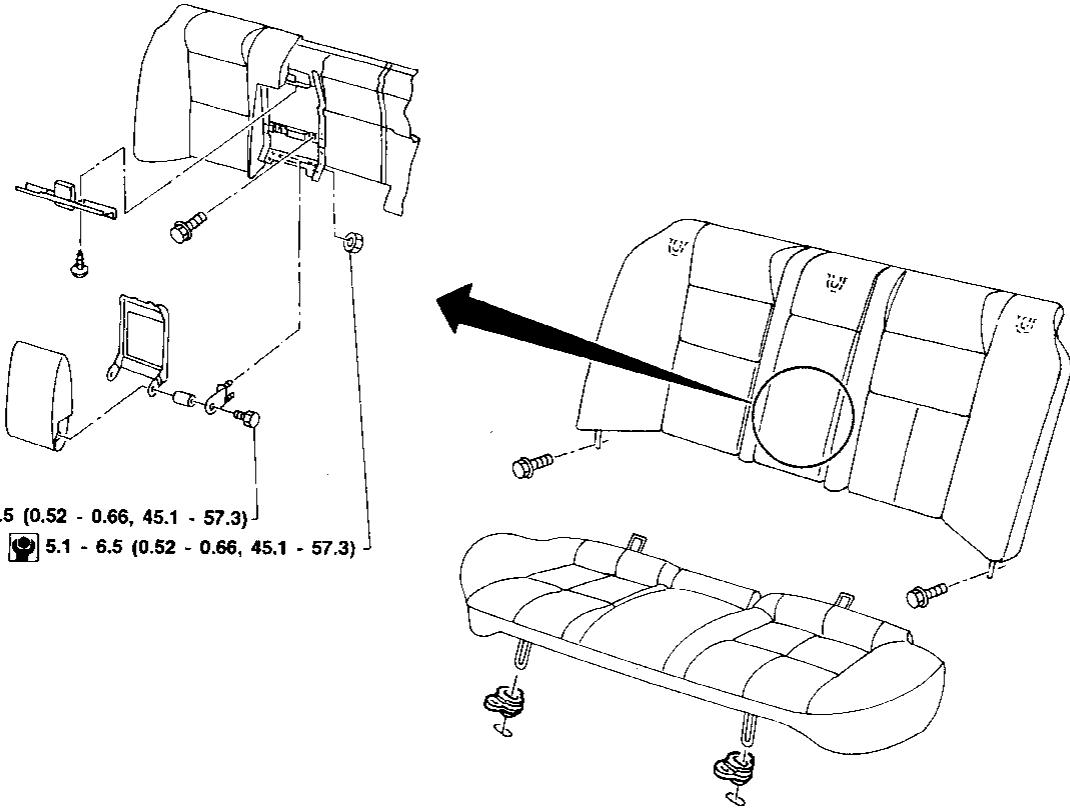
EL


IDX

SEAT

Rear Seat

SEC. 880



 : N·m (kg-m, in-lb)

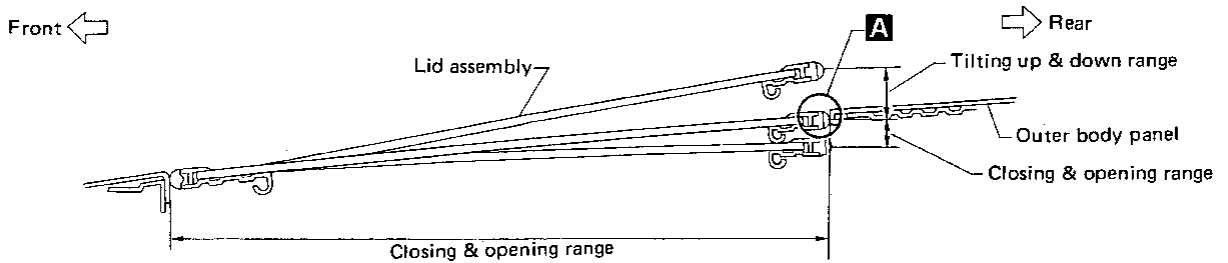
MBT077AA

SUN ROOF

ADJUSTMENT

Install motor & limit SW assembly and sunroof rail assembly in the following sequence:

1. Arrange equal lengths of link and wire assemblies on both sides of sunroof opening.
2. Connect sunroof connector to sunroof switch and positive (+) power supply.
3. Set lid assembly to fully closed position **A** by operating OPEN switch and TILT switch.
4. Fit outer side of lid assembly to the surface of roof on body outer panel.
5. Remove motor, and keep OPEN switch pressed until motor pinion gear reaches the end of its rotating range.
6. Install motor.
7. Check that motor drive gear fits properly in wires.
8. Press TILT-UP switch to check lid assembly for normal tilting.
9. Check sunroof lid assembly for normal operations (tilt-up, tilt-down, open, and close).



SBF920F

GI

WA

EM

LC

EC

FE

CL

MT

AT

FA

RA

BR

ST

RS

BT

HA

EL

IDX

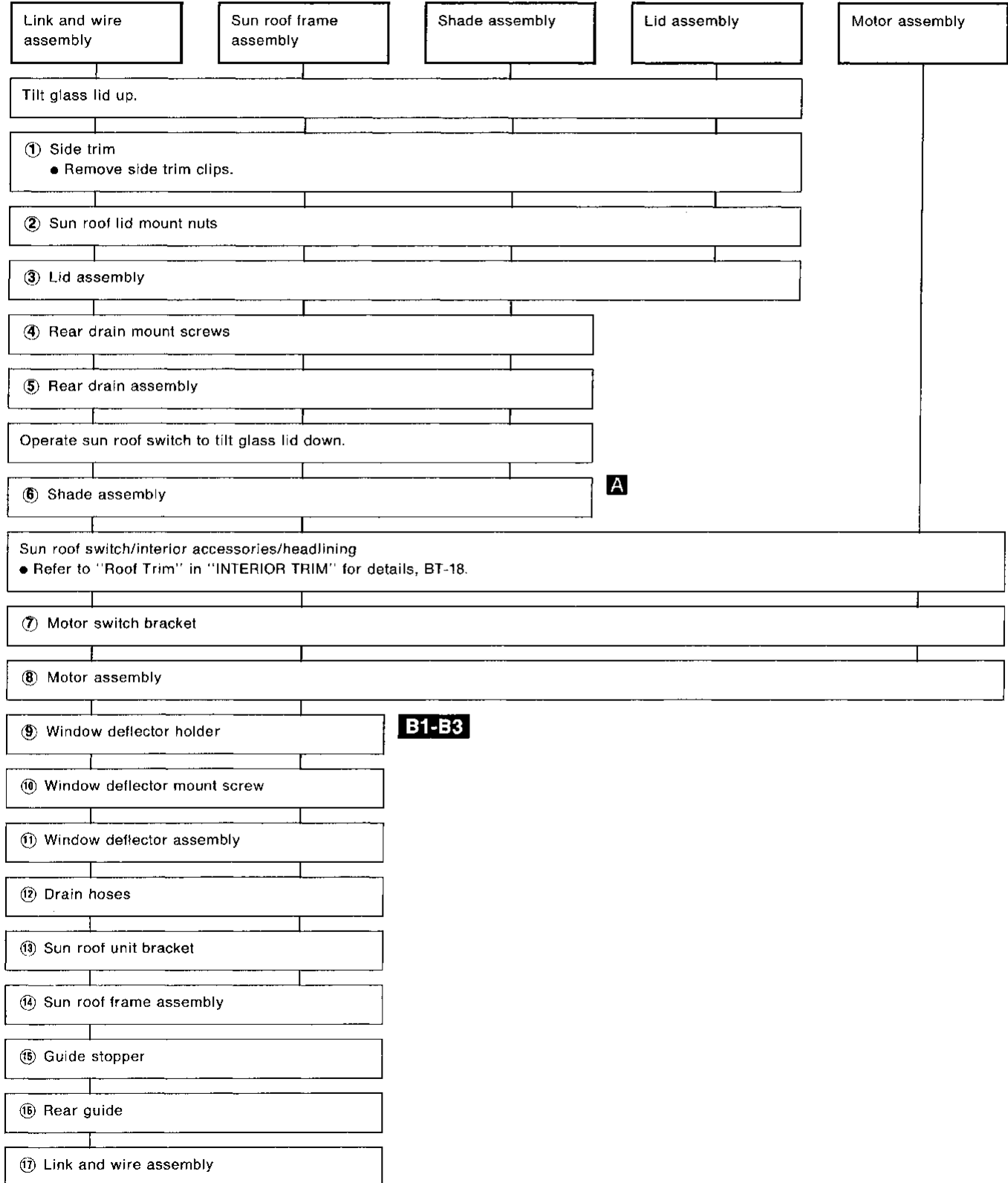
SUN ROOF

REMOVAL

- After any adjustment, check sun roof operation and lid alignment.
- Handle finisher plate and glass lid with care so not to cause damage.
- It is desirable for easy installation to mark each point before removal.

CAUTION:

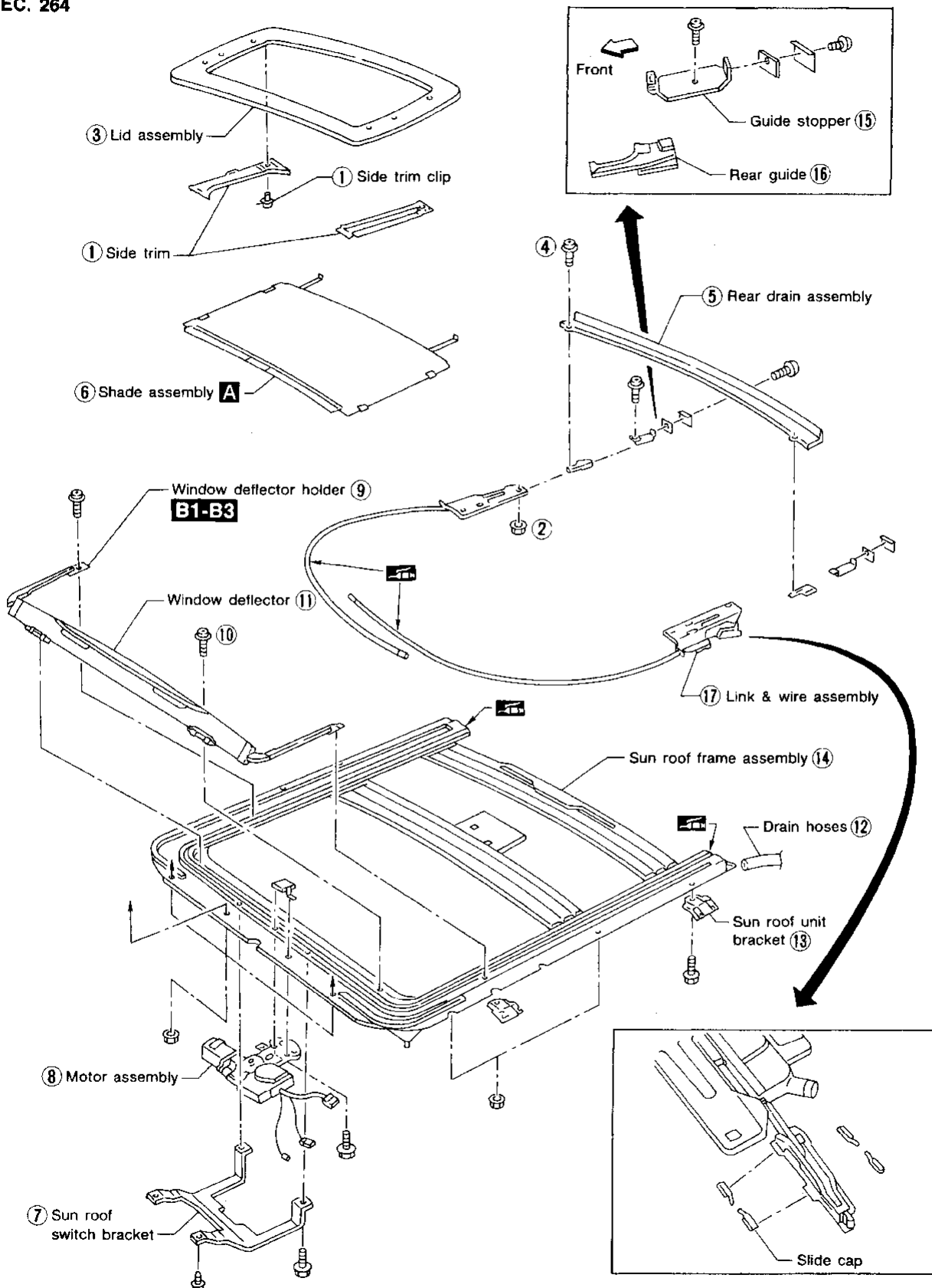
Always work with a helper.



SUN ROOF

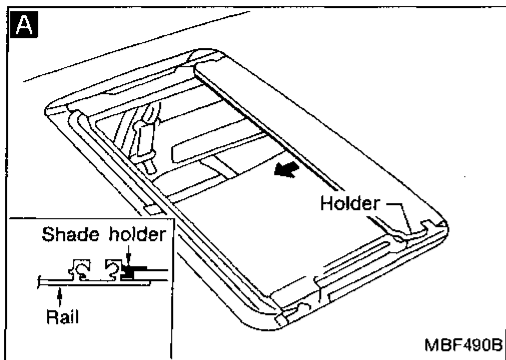
★ For Wiring Diagram, refer to "ELECTRIC SUN ROOF" in EL section.

SEC. 264

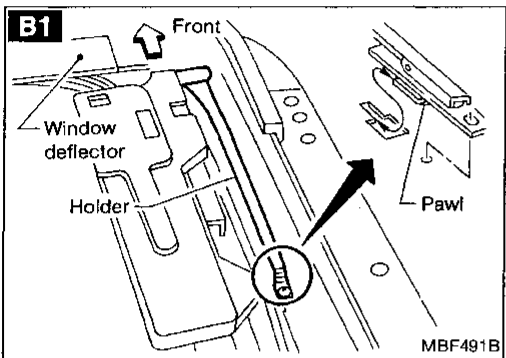


GI
MA
EM
LC
EC
FE
CL
MT
AT
FA
RA
BR
ST
RS
BT
HA
FL
IDX

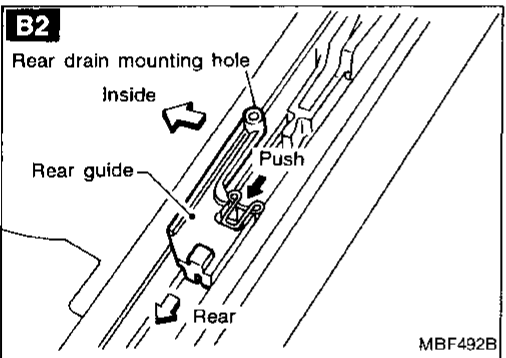
SUN ROOF



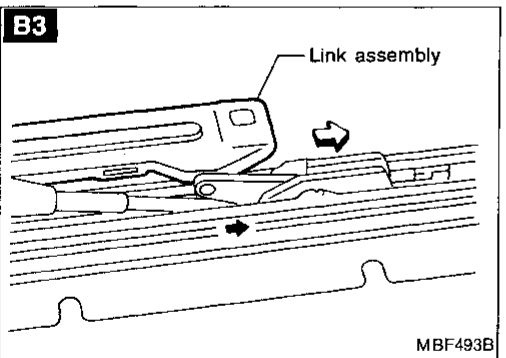
- A** Using flat-bladed screwdriver, pry shade assembly holder off rail. Then pull shade assembly forward to remove it from rail.



- B1** Disengage pawls from rail, then remove window deflector holder.

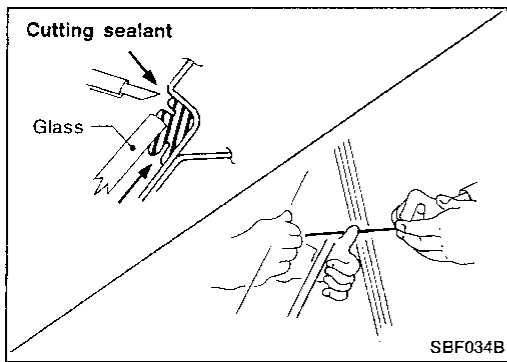


- B2** Using flat-bladed screwdriver, pry stopper spring off rail groove. Then slide rear guide backward to remove it from rail.



- B3** Remove wire and link assembly from rail while pushing link back with flat-bladed screwdriver.

WINDSHIELD AND WINDOWS



REMOVAL

After removing moldings, remove glass.

CAUTION:

Be careful not to scratch glass when removing.

INSTALLATION

- Use genuine Nissan Sealant kit or equivalent. Follow instructions furnished with it.
- After installing the glass, the vehicle should remain stationary until the sealant hardens.

WARNING:

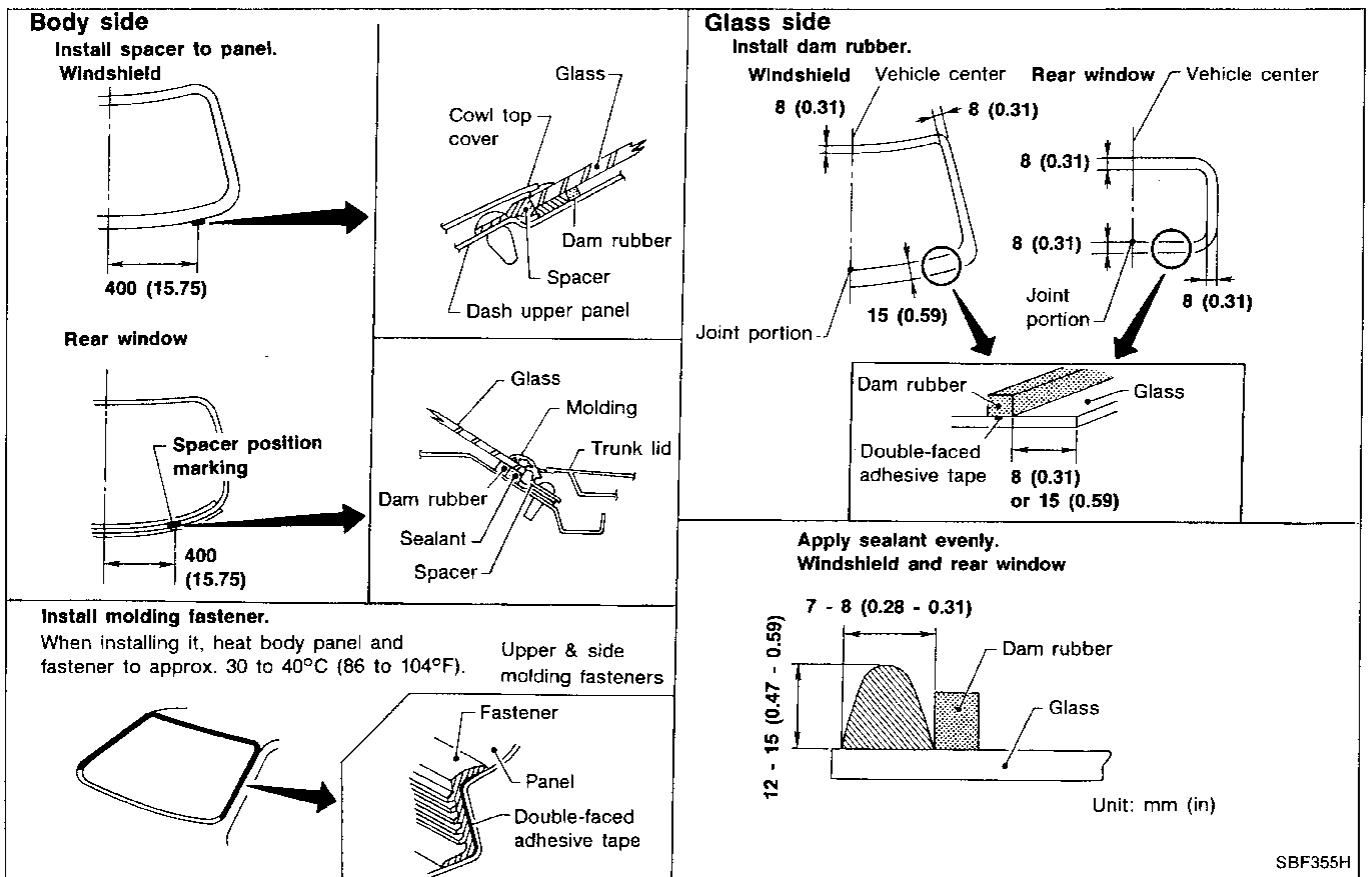
Keep heat and open flames away as primers are flammable.

CAUTION:

Advise user not to drive the vehicle on rough roads until sealant has properly vulcanized.

- Do not use sealant which is past its usable term.
- Do not leave cartridge unattended with its cap open.
- Keep primers and sealant in a cool, dry place. Ideally, they should be stored in a refrigerator.
- Molding must be installed securely so that it is in position and leaves no gap.

Windshield and Rear Window



REPAIRING WATER LEAKS FOR WINDSHIELD

Leaks can be repaired without removing and reinstalling glass.

If water is leaking between caulking material and body or glass, determine the extent of leakage. This can be determined by applying water while pushing glass outward.

To stop the leak, apply primer and then sealant to the leak point.

MIRROR

CAUTION:

Door Mirror

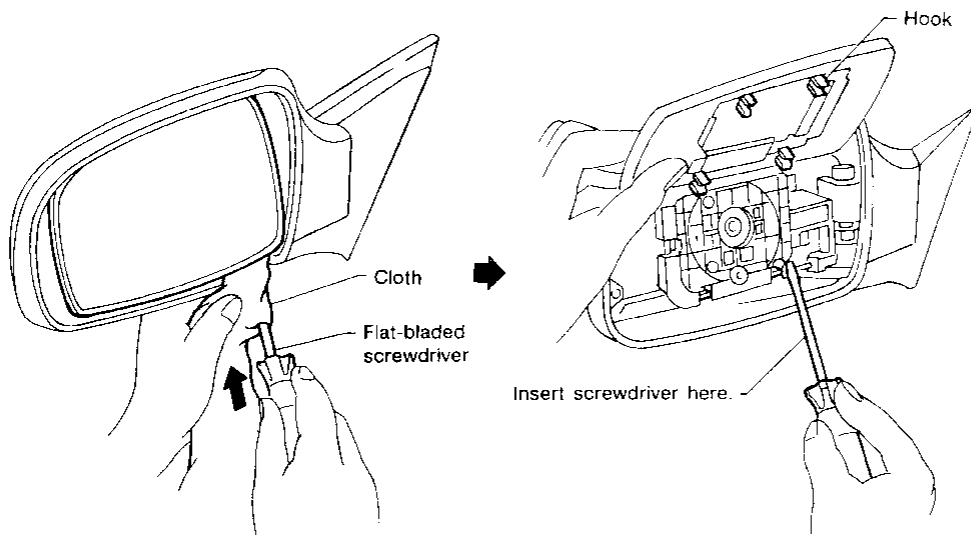
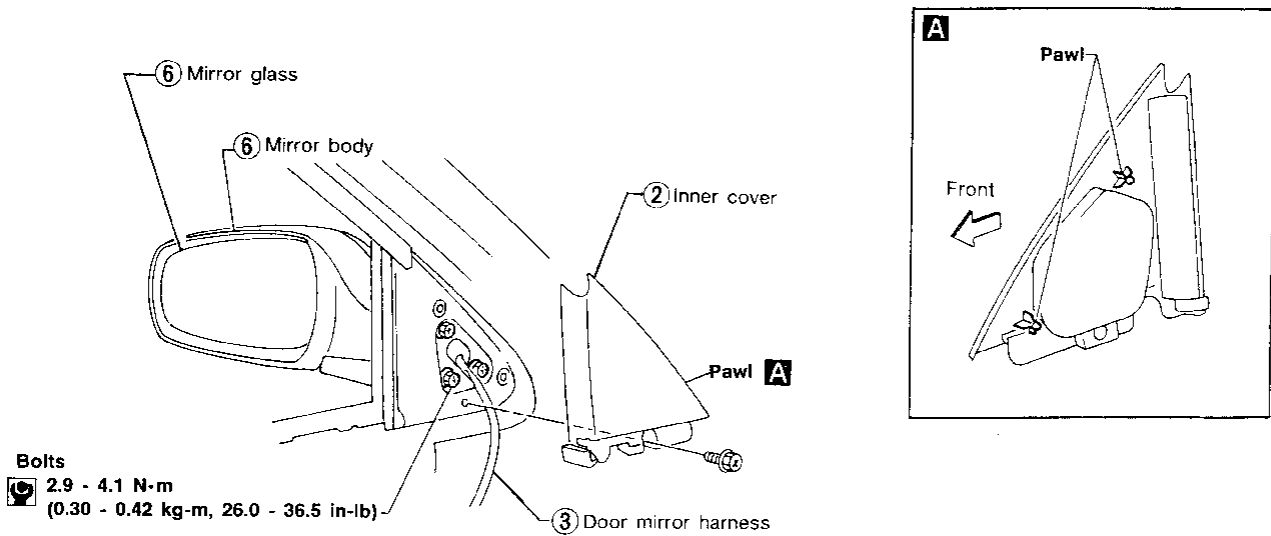
Be careful not to scratch door rearview mirror body.

★ For Wiring Diagram, refer to "POWER DOOR MIRROR" in EL section.

REMOVAL — Door mirror

- ① Remove door trim. Refer to "Door Trim" in "INTERIOR TRIM" for details, BT-17.
- ② Remove inner cover front corner of door.
- ③ Disconnect door mirror harness connector.
- ④ Remove door mirror harness clips.
- ⑤ Remove three bolts securing door mirror assembly.
- ⑥ Remove the mirror glass from mirror body. Do not insert screwdriver too far.

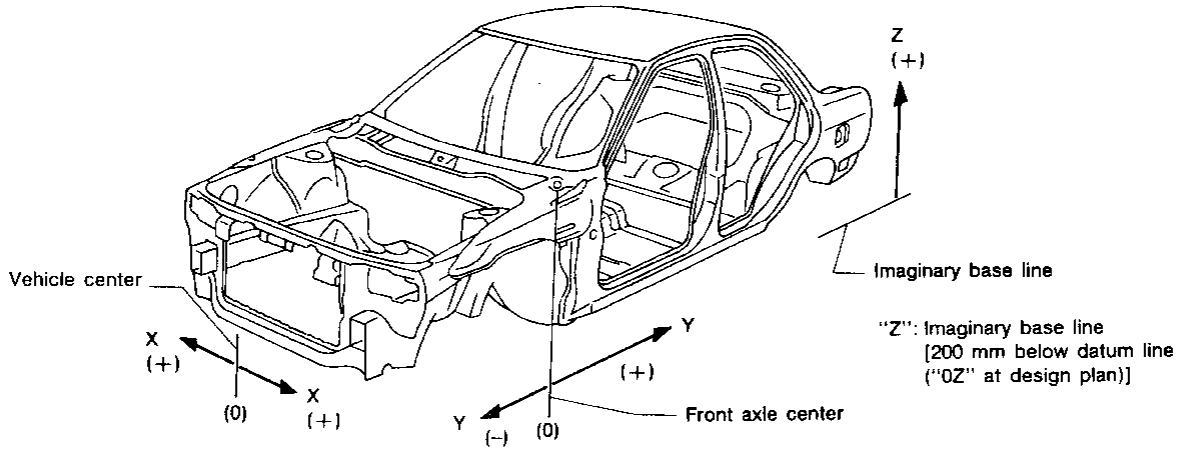
SEC. 963



MBT074AA

BODY ALIGNMENT

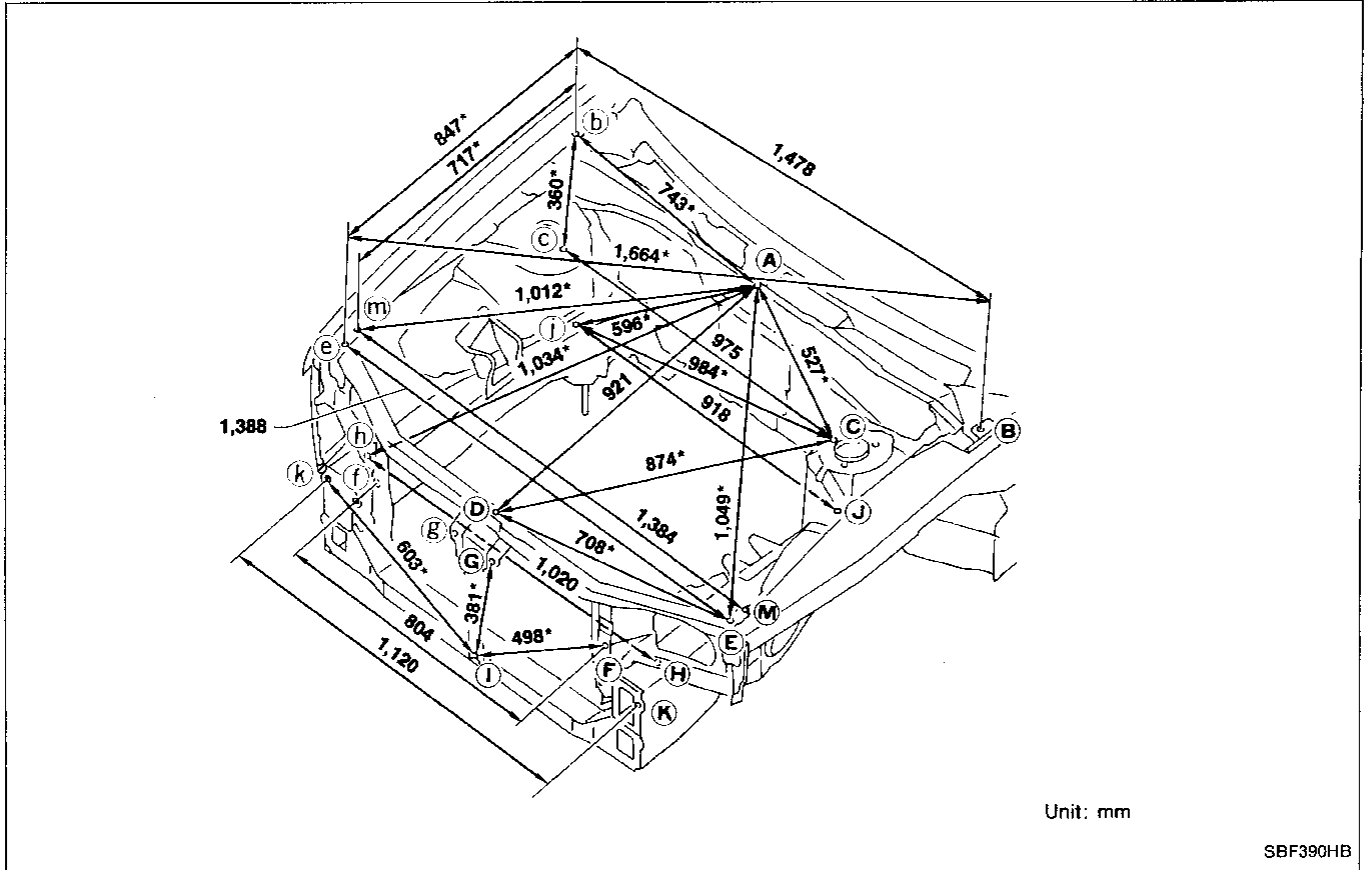
- All dimensions indicated in figures are actual ones.
- When using a tracking gauge, adjust both pointers to equal length. Then check the pointers and gauge itself to make sure there is no free play.
- When a measuring tape is used, check to be sure there is no elongation, twisting or bending.
- Measurements should be taken at the center of the mounting holes.
- An asterisk (*) following the value at the measuring point indicates that the measuring point on the other side is symmetrically the same value.
- The coordinates of the measurement points are the distances measured from the standard line of "X", "Y" and "Z".



SBF874GB

Engine Compartment

MEASUREMENT

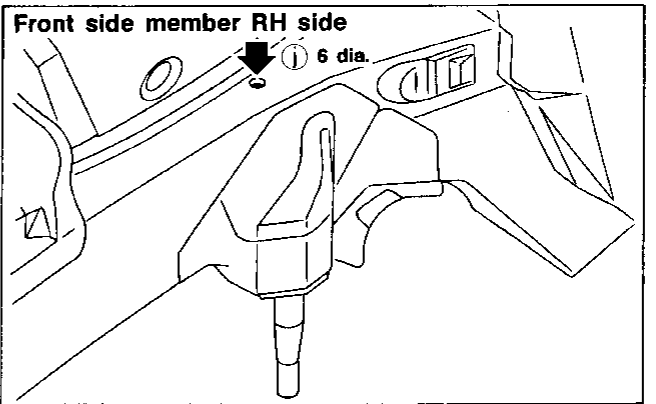
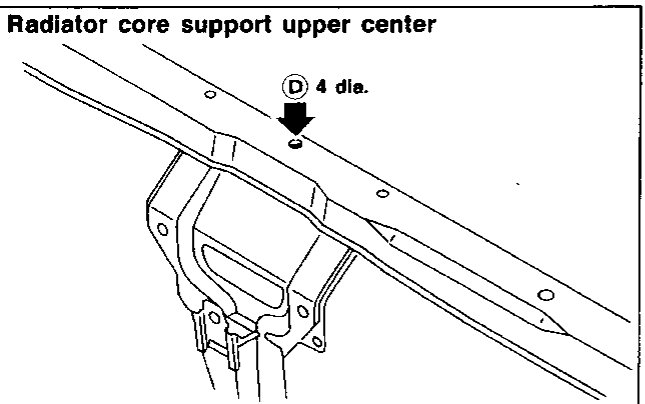
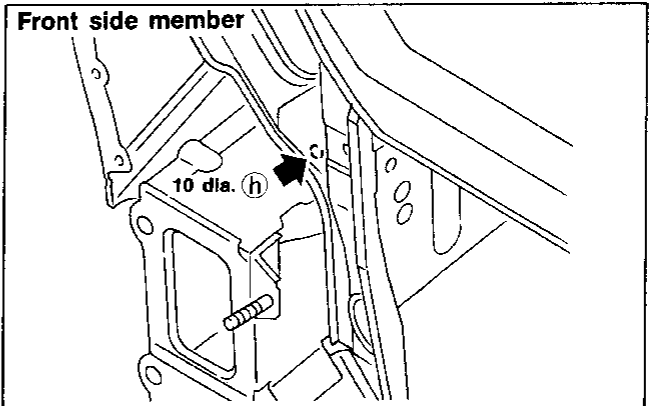
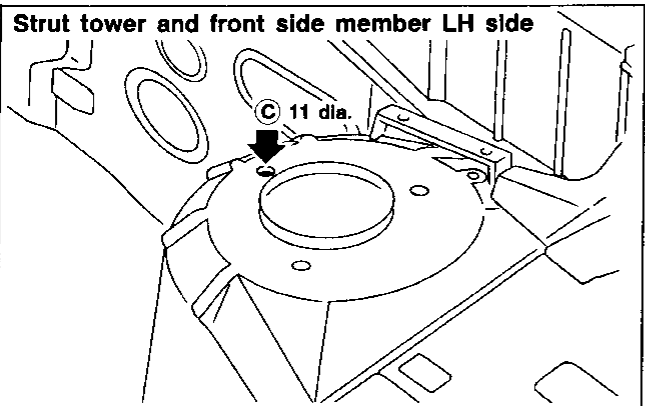
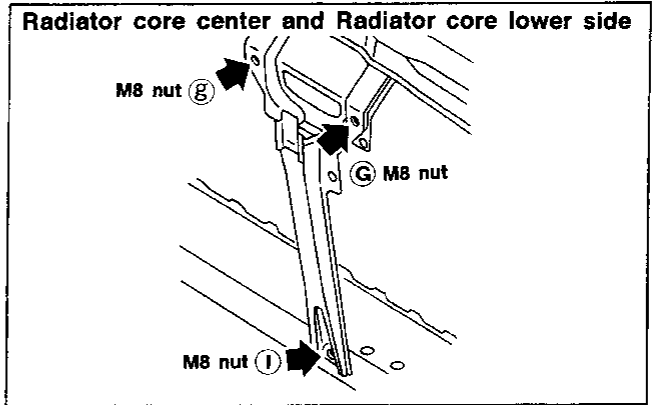
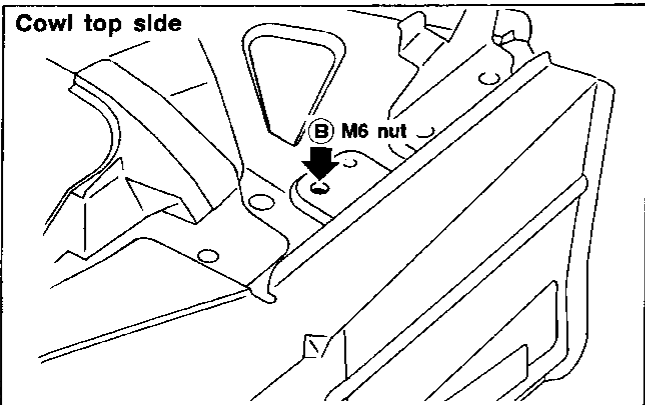
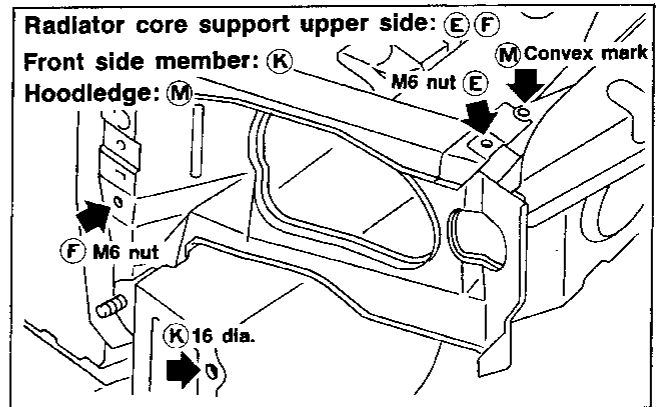
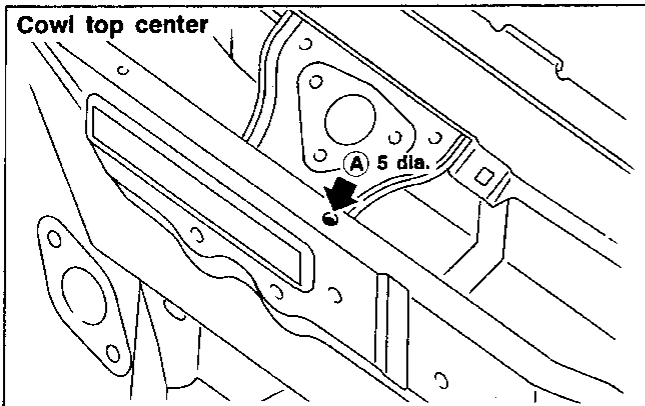


BODY ALIGNMENT

Engine Compartment (Cont'd)

MEASUREMENT POINTS

Unit: mm

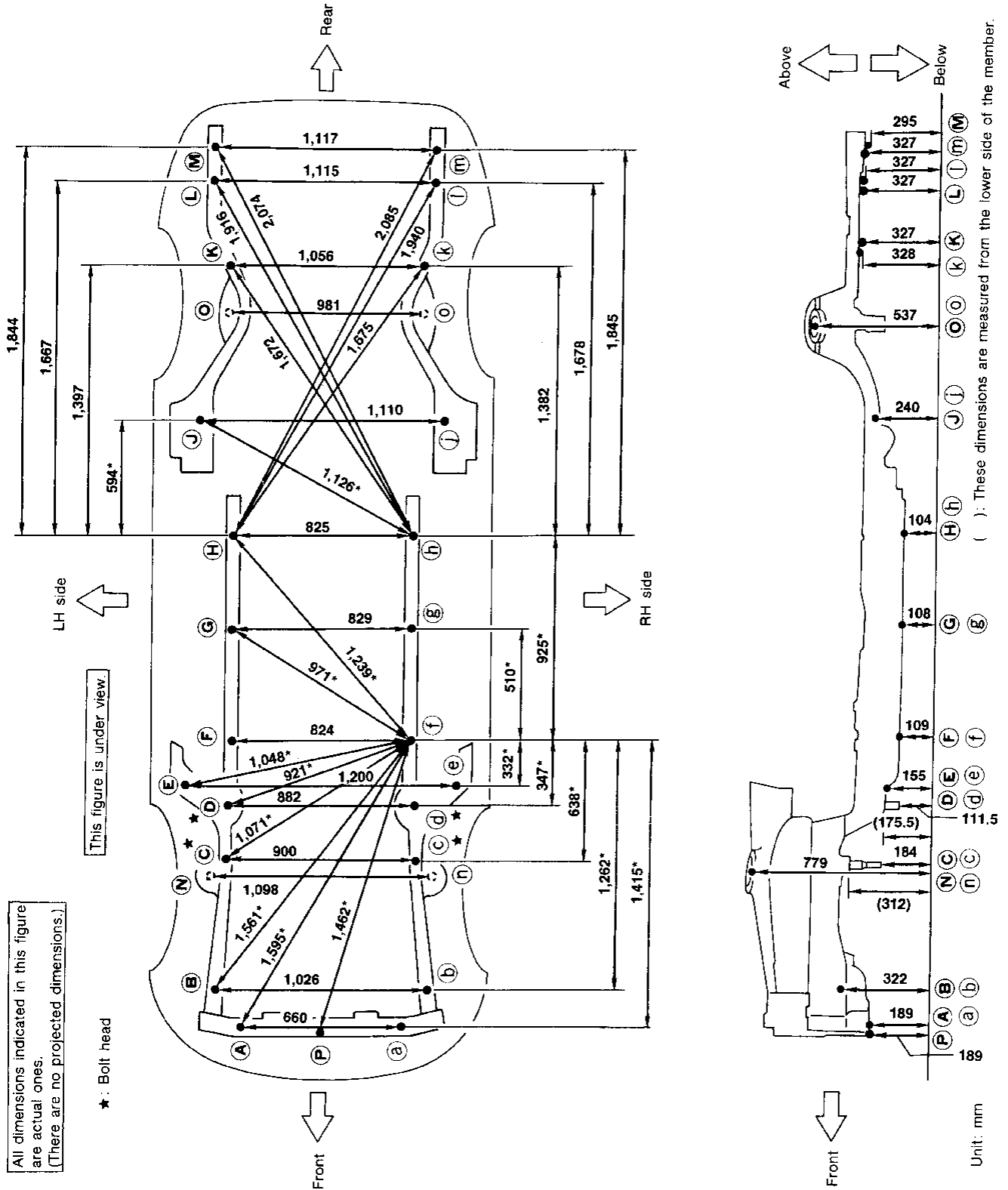


SBF391H

BODY ALIGNMENT

Underbody

MEASUREMENT

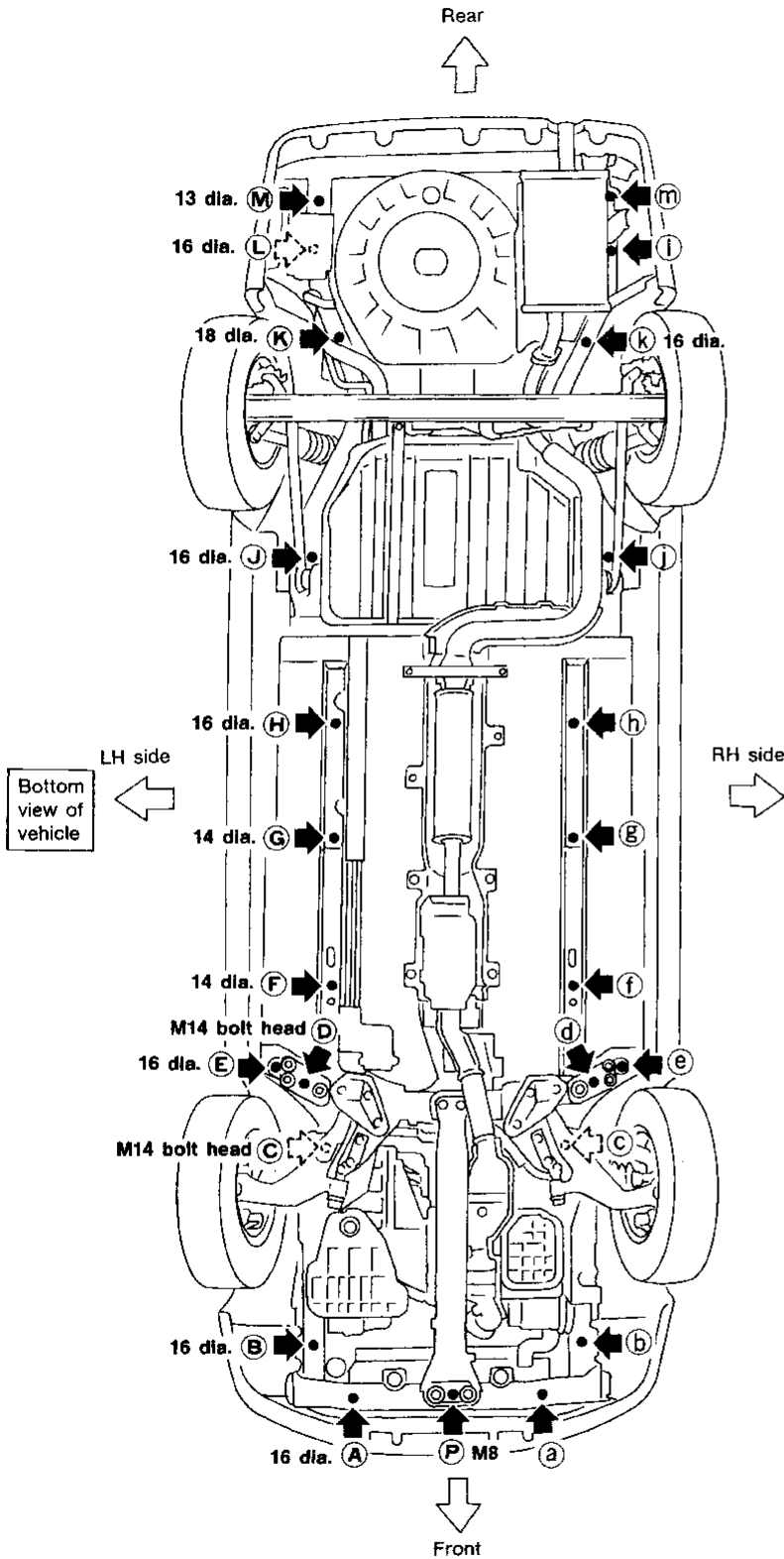


- GI
- MA
- FW
- LC
- EC
- FE
- CL
- MT
- AT
- FA
- RA
- BR
- ST
- RS
- BT**
- HA
- EL
- IDX

BODY ALIGNMENT

Underbody (Cont'd)

MEASUREMENT POINTS



Coordinates:

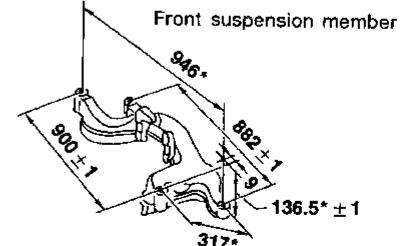
(A), (a)	(J), (j)
X : 330	Radius rod
Y : -710	bracket mounting
Z : 188.8	hole
(B), (b)	X : 555
X : 513	Y : 2,185
Y : -540	Z : 239.5
Z : 322	(K)
(C), (c)	X : 512
X : 450	Y : 3,000
Y : 68	Z : 326.6
Z : 184	(k)
(D), (d)	X : -544
X : 441	Y : 2,982
Y : 354	Z : 328.2
Z : 111.5	(L)
(E), (e)	X : 540
X : 600	Y : 3,272
Y : 430	Z : 326.6
Z : 154.9	(l)
(F), (f)	X : -575
X : 412	Y : 3,280
Y : 700	Z : 326.6
Z : 109	(M)
(G), (g)	X : 546
X : 414.5	Y : 3,454
Y : 1,210	Z : 295.4
Z : 108.4	(m)
(H), (h)	X : -570.5
X : 412.5	Y : 3,450
Y : 1,625	Z : 326.6
Z : 104	(P)
	X : 0
	Y : -700.5
	Z : 188.8

Front and rear strut tower centers

Coordinates:

(N), (n)	Front: (N), (n) 87 dia.
X : 548.8	Rear: (O), (o) 61.4 dia.
Y : 28.7	
Z : 779.3	
(O), (o)	
X : 490.3	
Y : 2,621	
Z : 537.2	

Suspension link mounting hole



Unit: mm

MBT072A